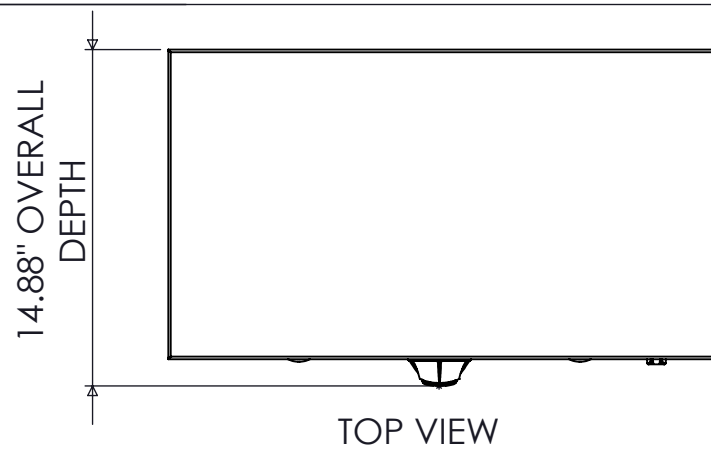


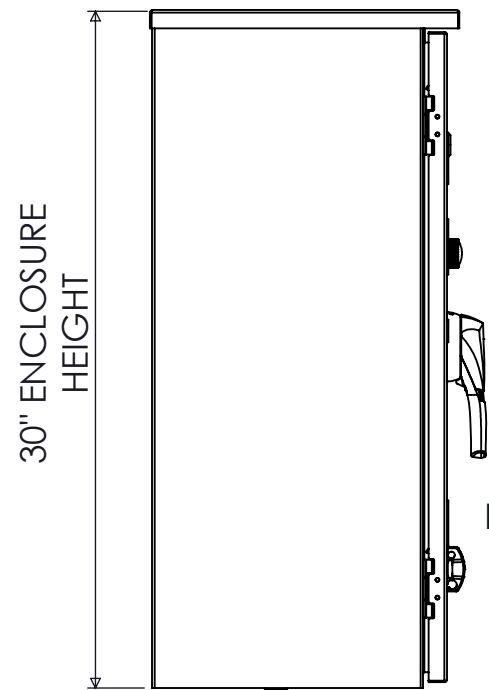
SPECIFICATIONS

MAX VOLTAGE - 600VAC 3 ϕ
 RATED CURRENT - 200 A
 STANDARDS - UL508A
 ENCLOSURE RATING - NEMA 3R
 REF. ES100145NF
 DURABILITY - 6050 CYCLES
 EST SHIPPING WEIGHT - 150LBS



TOP VIEW

24" ENCLOSURE WIDTH



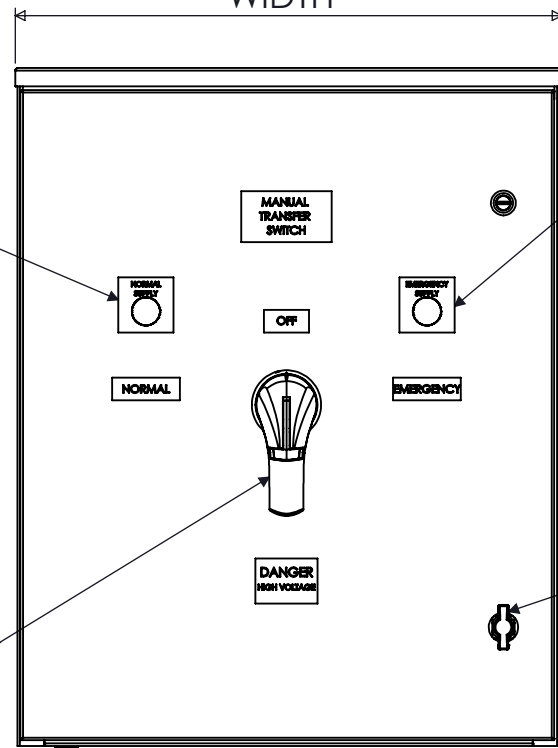
SIDE VIEW

"NORMAL SUPPLY" (GREEN)

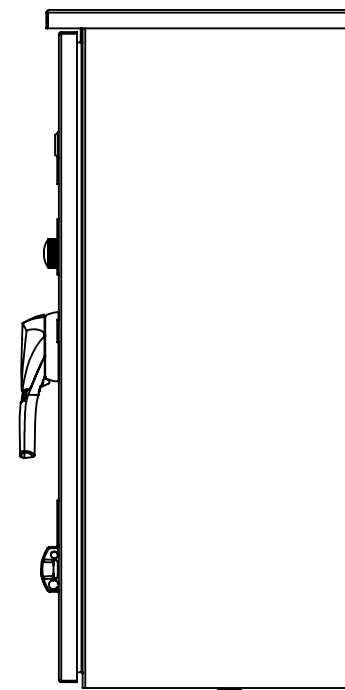
"EMERGENCY SUPPLY" (RED)

PADLOCKABLE HANDLE I-O-II

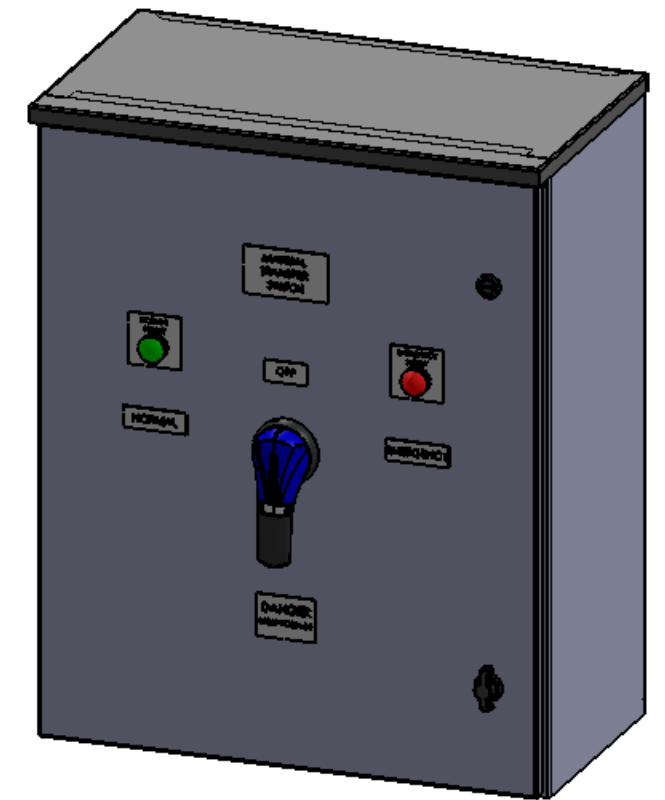
PADLOCKABLE WINGKNOB LATCH



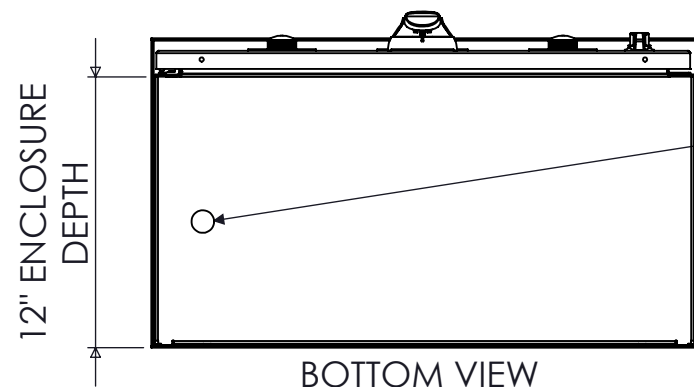
FRONT VIEW



SIDE VIEW



DIMETRIC VIEW



BOTTOM VIEW

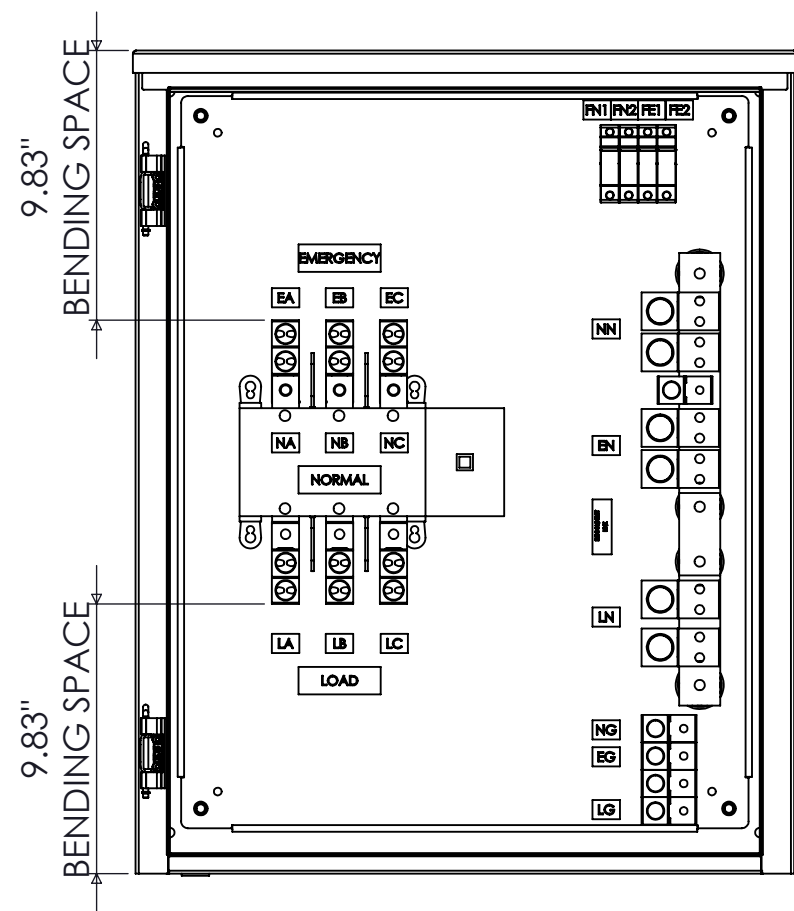
DRAIN PLUG



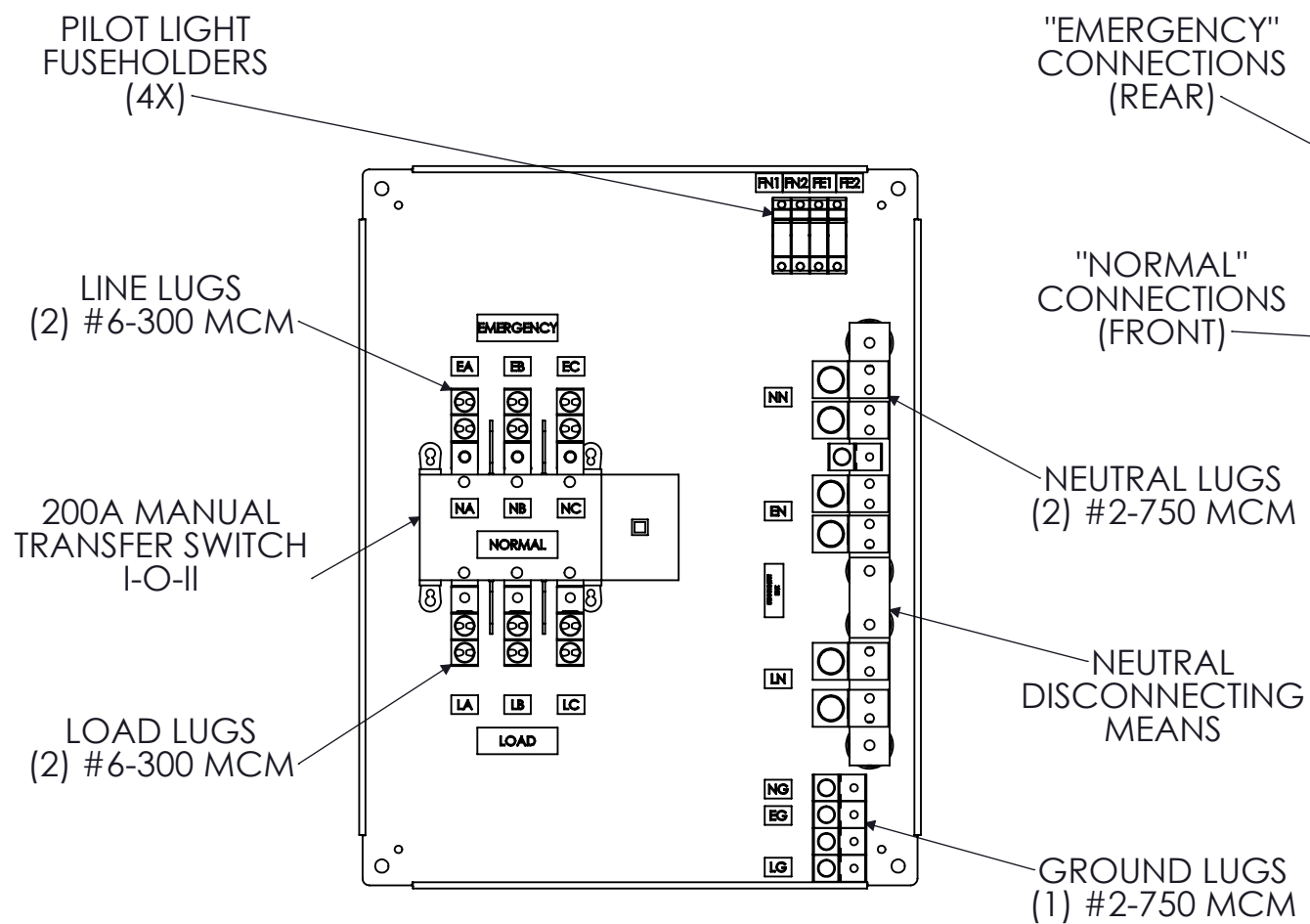
9900 TWIN LAKES PARKWAY
 CHARLOTTE, NC 28269
 704-596-5617
 PSICONTROLSOLUTIONS.COM

200A NON-FUSED 3-POLE NEMA 3R MANUAL TRANSFER SWITCH

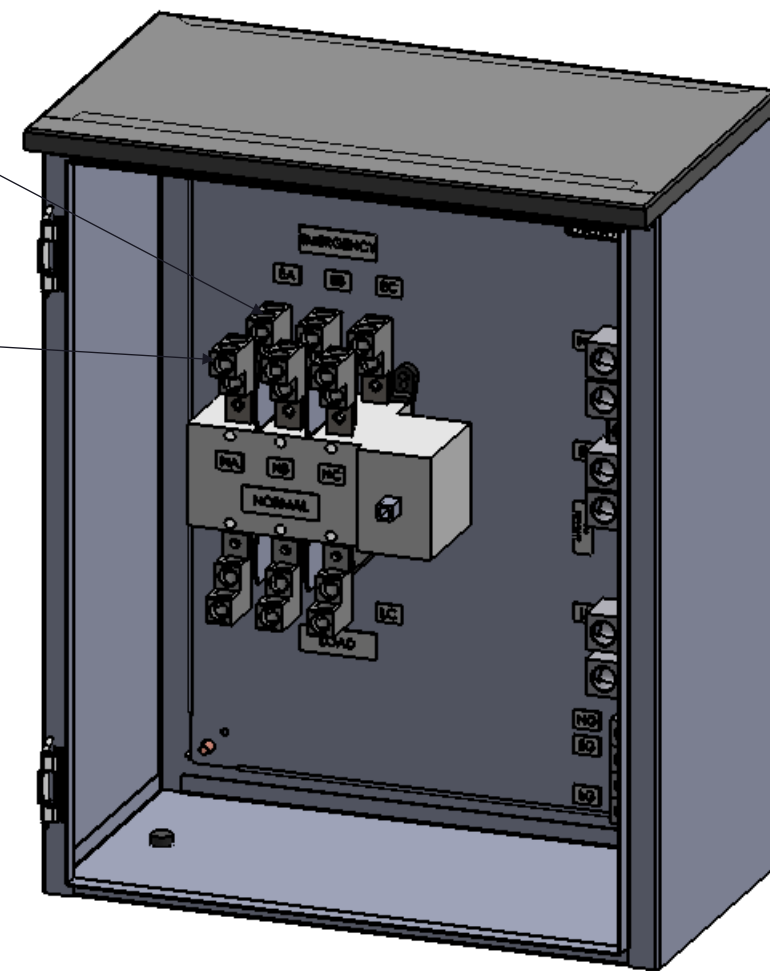
REV	DESCRIPTION	DATE	DRAWN	S.RICHARDSON
0	ORIGINAL RELEASE	12/12/13	CHECKED	
			SUP. NO	DRAWING TYPE
			SUP. BY NO	DIMENSIONAL
			PANEL NO	DRAWING NUMBER
			BUL. NO	STS200N3RNF3
			GROUP NO	
			ORDER NO	



FRONT VIEW
DOOR REMOVED



FRONT VIEW
ENCLOSURE REMOVED




DIMETRIC VIEW
DOOR REMOVED

200A NON-FUSED 3-POLE NEMA 3R MANUAL TRANSFER SWITCH

REV	DESCRIPTION	DATE	DRAWN	S.RICHARDSON	CHECKED
0	ORIGINAL RELEASE	12/12/13			
				SUP. NO	
				SUP. BY NO	
				PANEL NO	
				BUL. NO	
				GROUP NO	
				ORDER NO	

DRAWING TYPE
OUTLINE

DRAWING NUMBER
STS200N3RNF3


 9900 TWIN LAKES PARKWAY
 CHARLOTTE, NC 28269
 704-596-5617
 PSICONTROLSOLUTIONS.COM