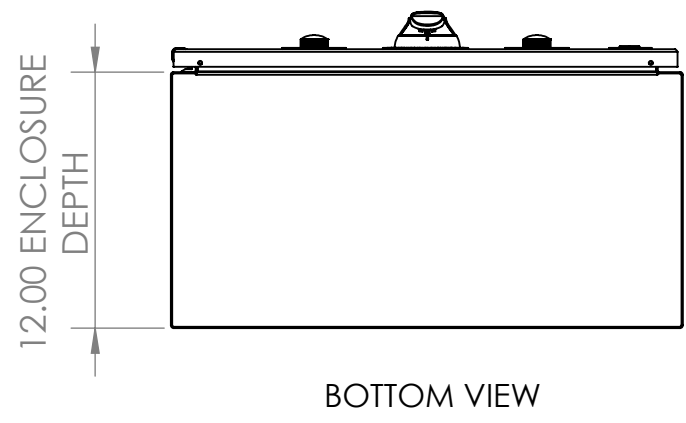
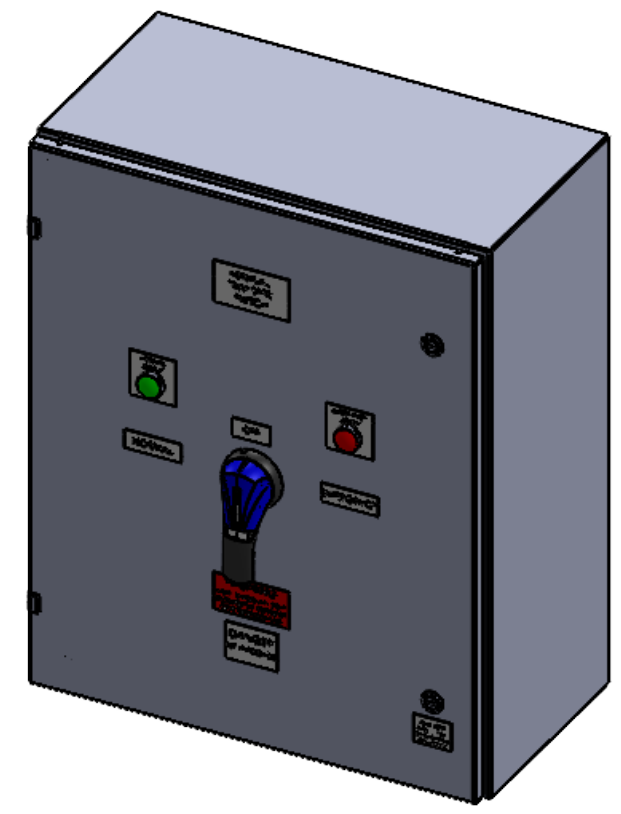
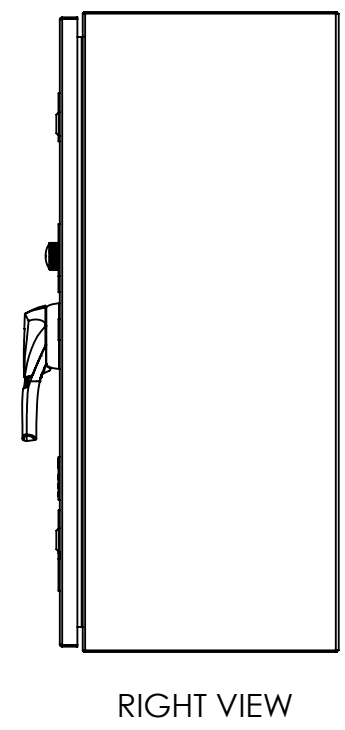
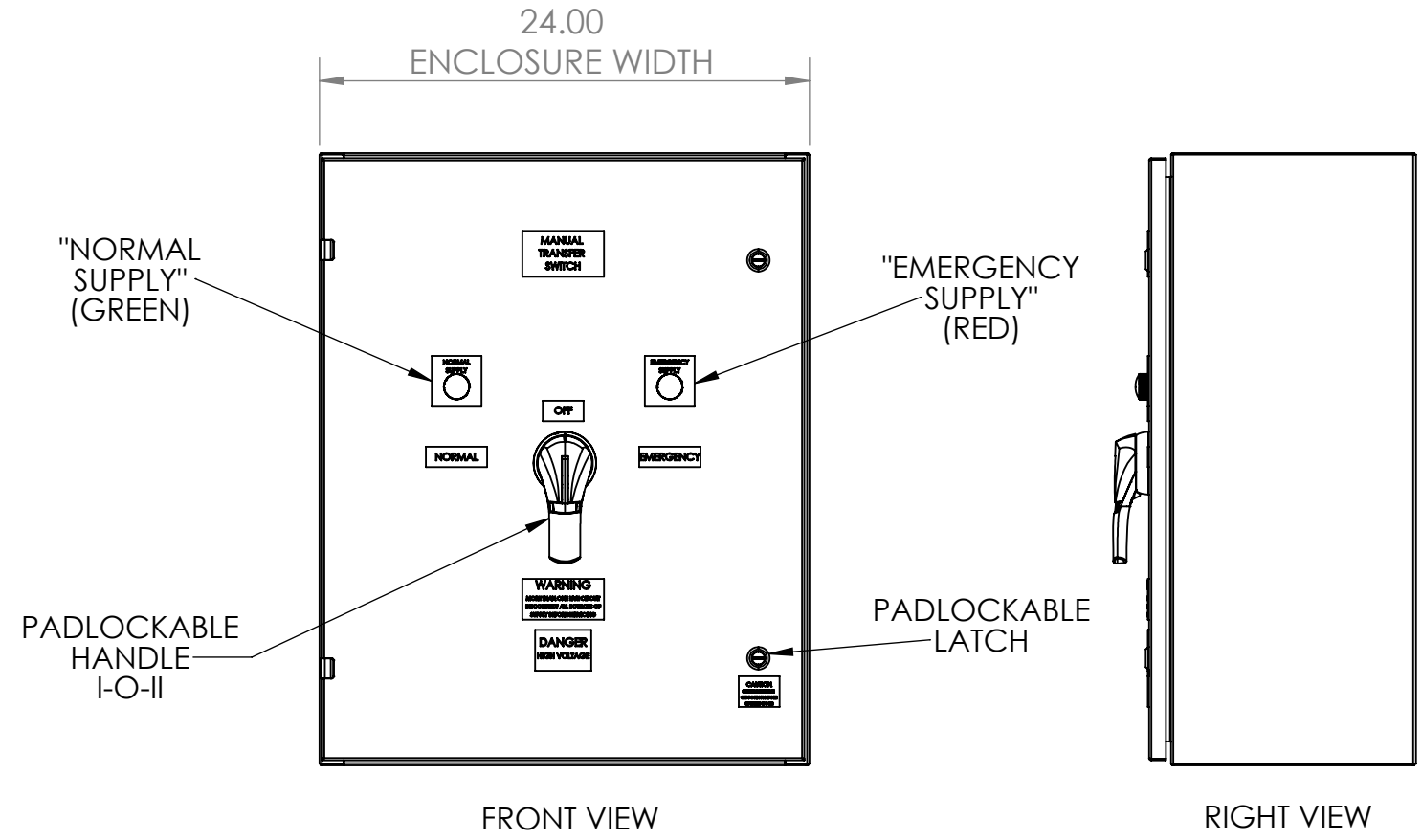
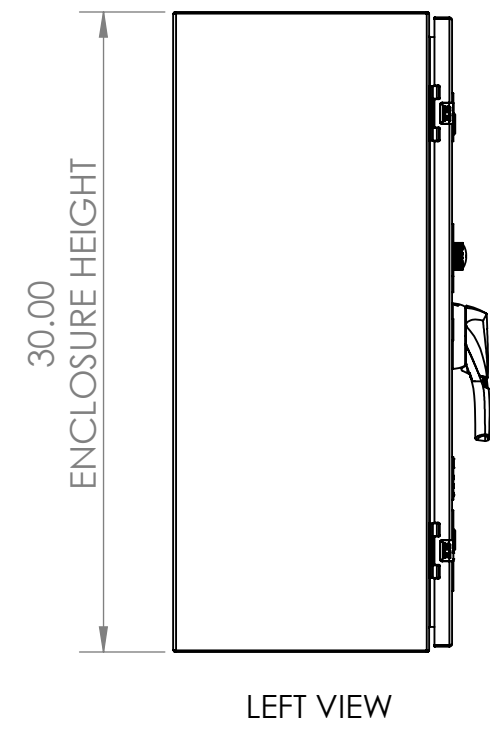
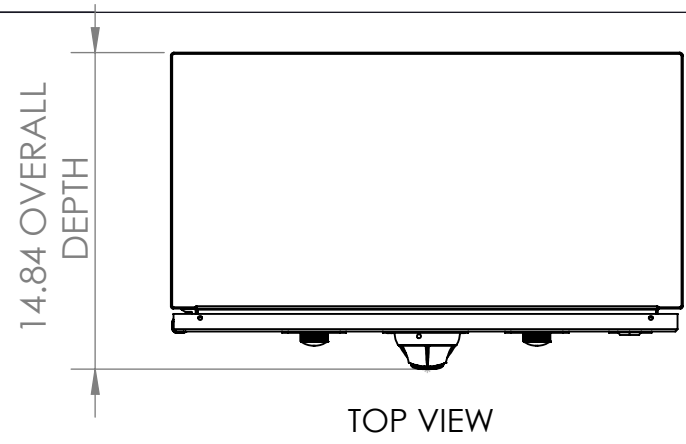


SPECIFICATIONS:

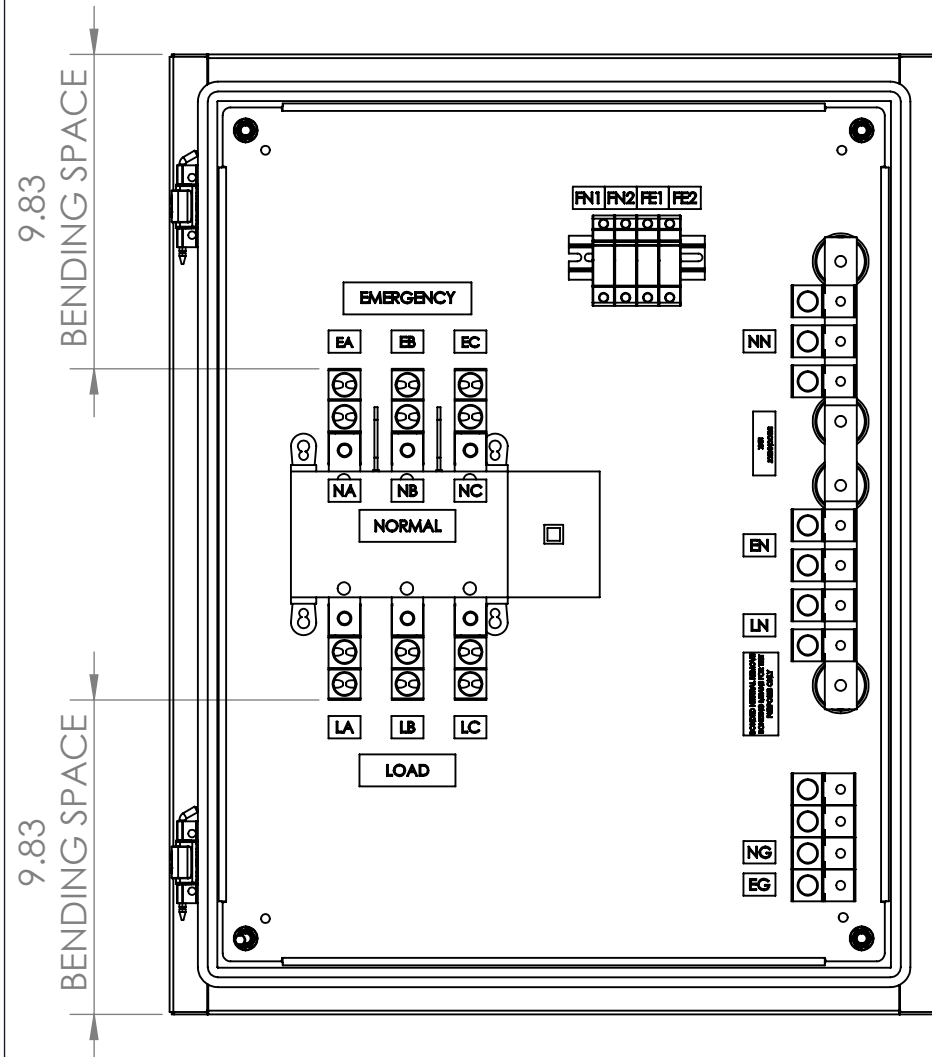
MAX VOLTAGE - 600 VAC
 RATED CURRENT - 100A
 STANDARDS - UL508A
 ENCLOSURE RATING - NEMA 1
 REF. ES100145NF3
 DURABILITY - 6050 CYCLES EST
 SHIPPING WEIGHT - 154 LBS



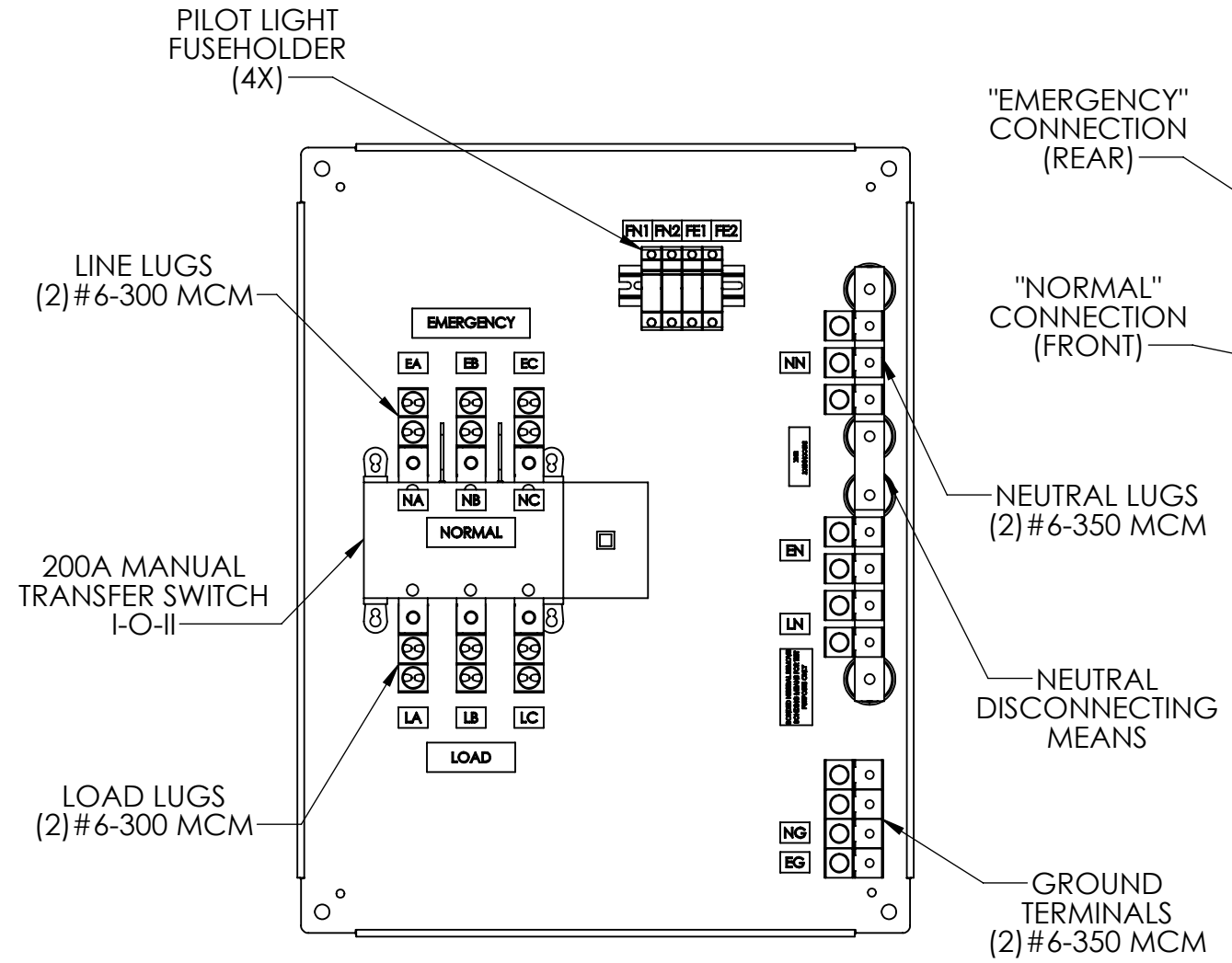
100A NON-FUSED 3 POLE NEMA 1 MANUAL TRANSFER SWITCH

REV	DESCRIPTION	DATE	DRAWN: C. JUNG	
0	ORIGINAL RELEASE	10/19/21	CHECKED:	
1			SUP. NO:	DRAWING TYPE
			SUP. BY NO:	DIMENSIONAL
			PANEL NO:	DRAWING NUMBER
			BUL. NO:	STS100N1NF3
			GROUP NO:	
			ORDER NO:	

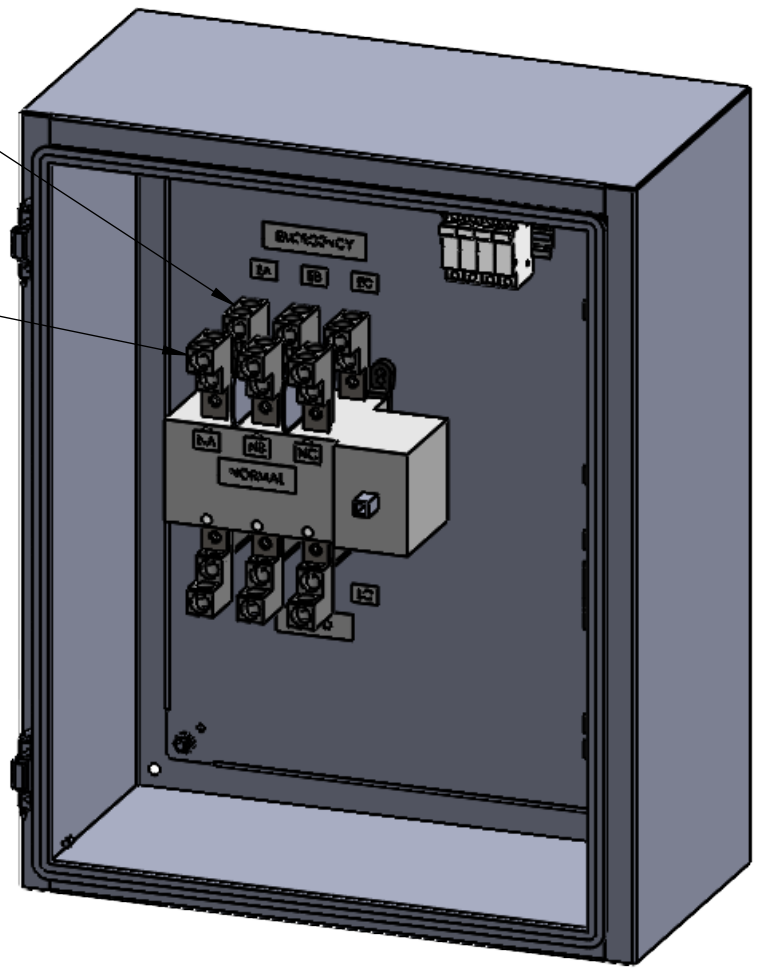
PSI Power & Controls
 9900 TWIN LAKES PARKWAY
 CHARLOTTE, NC 28269
 704-596-5617
 PSICONTROLSOLUTIONS.COM



FRONT VIEW
(FRONT DOOR REMOVED)



FRONT VIEW
(ENCLOSURE REMOVED)



DIMETRIC VIEW
(FRONT DOOR REMOVED)

100A NON-FUSED 3 POLE NEMA 1 MANUAL TRANSFER SWITCH

REV	DESCRIPTION	DATE	DRAWN: C. JUNG
0	ORIGINAL RELEASE	10/19/21	CHECKED:
1			SUP. NO:
			SUP. BY NO:
			PANEL NO:
			BUL. NO:
			GROUP NO:
			ORDER NO:

DRAWING TYPE	DIMENSIONAL
DRAWING NUMBER	STS100N1NF3

PSI Power & Controls
 9900 TWIN LAKES PARKWAY
 CHARLOTTE, NC 28269
 704-596-5617
 PSICONTROLSOLUTIONS.COM