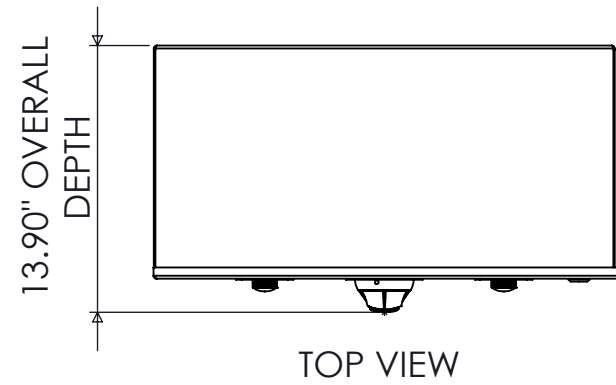
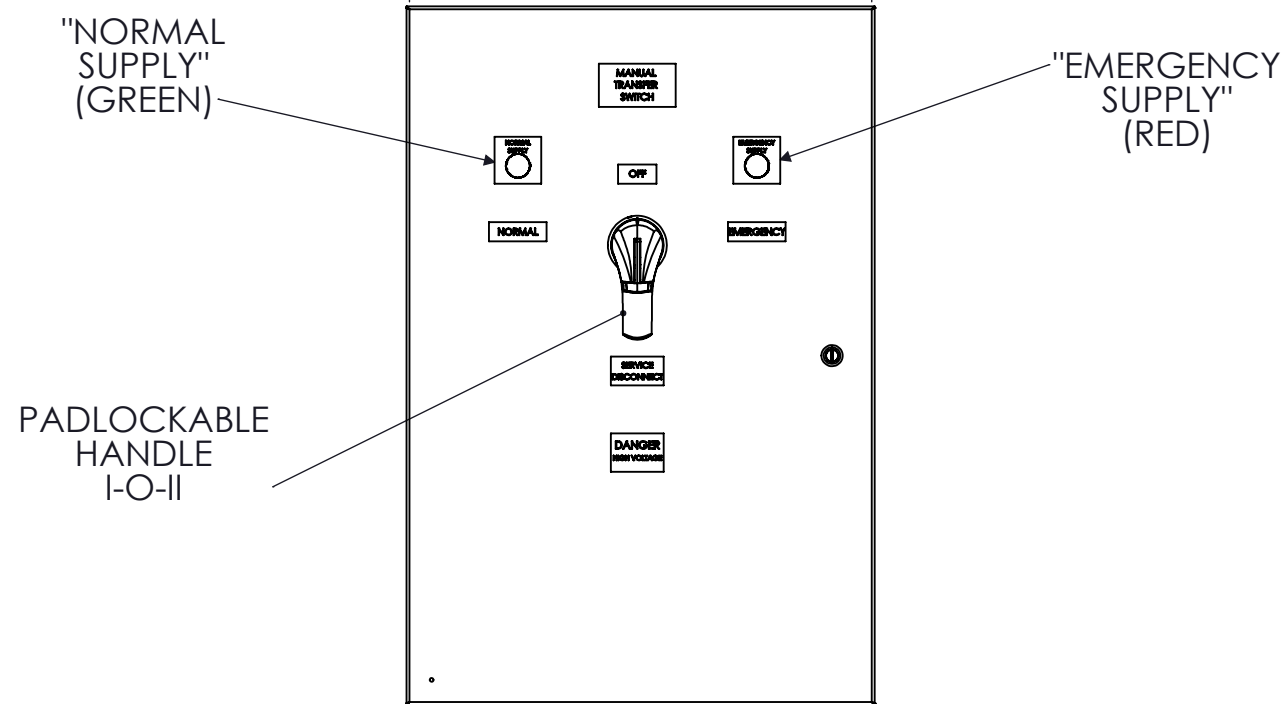


**SPECIFICATIONS**

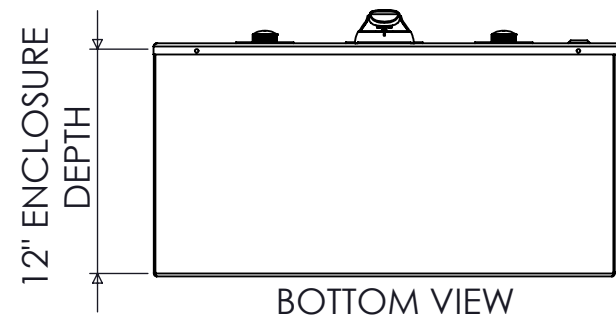
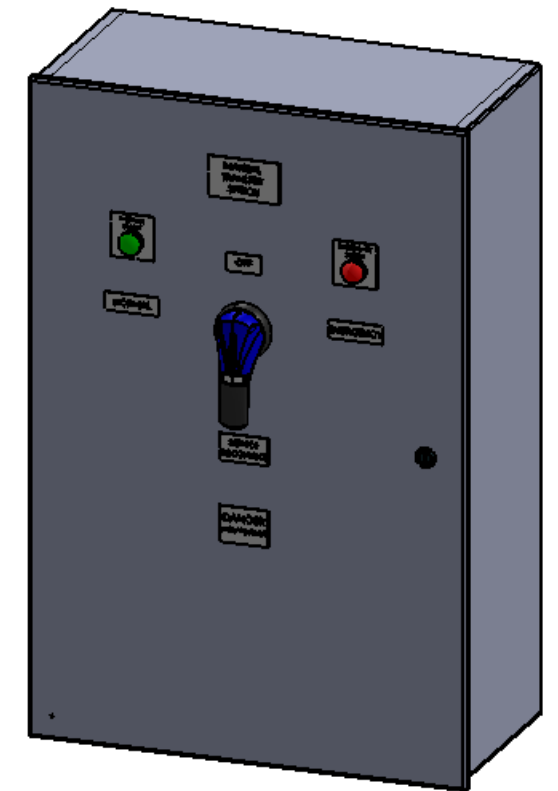
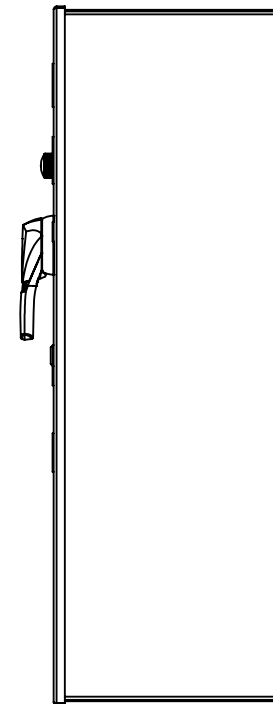
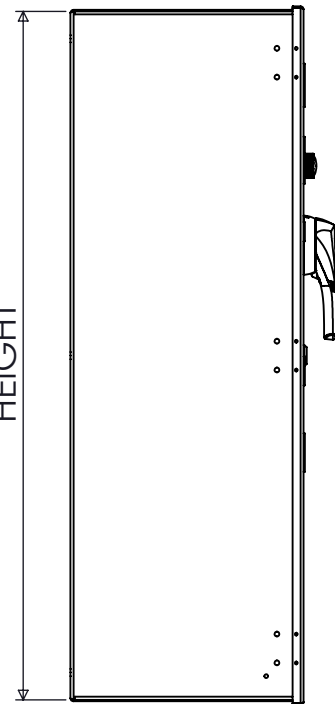
MAX VOLTAGE - 600VAC 3 $\phi$   
 RATED CURRENT - 200 A  
 STANDARDS - UL508A  
 ENCLOSURE RATING - NEMA 1  
 REF. ES100145BF  
 DURABILITY - 6050 CYCLES  
 EST SHIPPING WEIGHT - 150LBS



24" ENCLOSURE WIDTH



36" ENCLOSURE HEIGHT

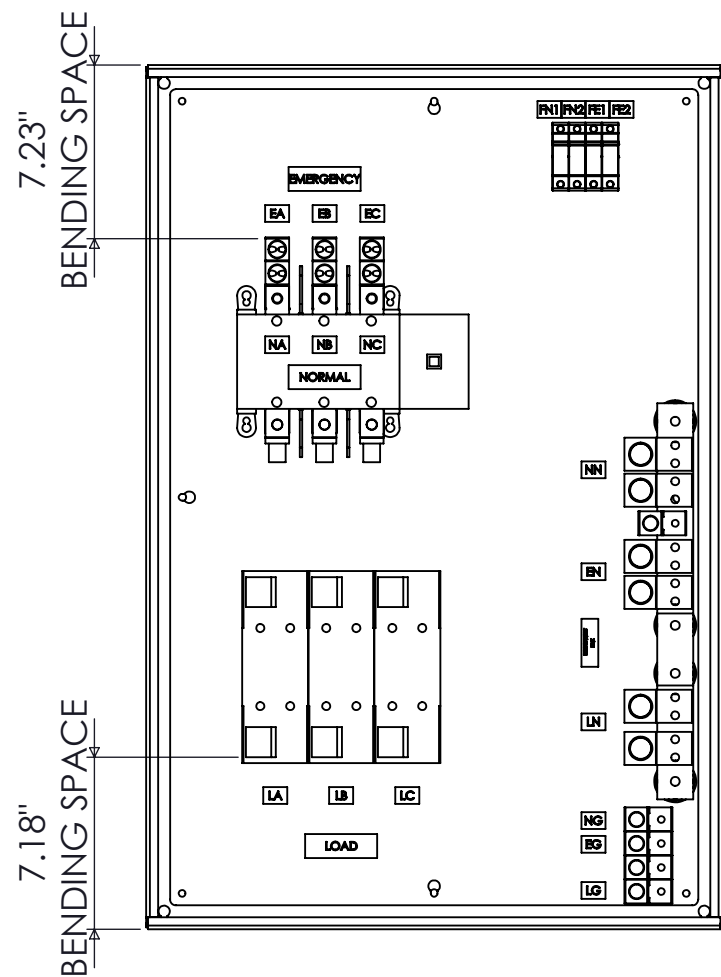


200A FUSIBLE 3-POLE NEMA 1 MANUAL TRANSFER SWITCH			
REV	DESCRIPTION	DATE	DRAWN S.RICHARDSON
0	ORIGINAL RELEASE	12/16/13	CHECKED
			SUP. NO
			SUP. BY NO
			PANEL NO
			BUIL. NO
			GROUP NO
			ORDER NO

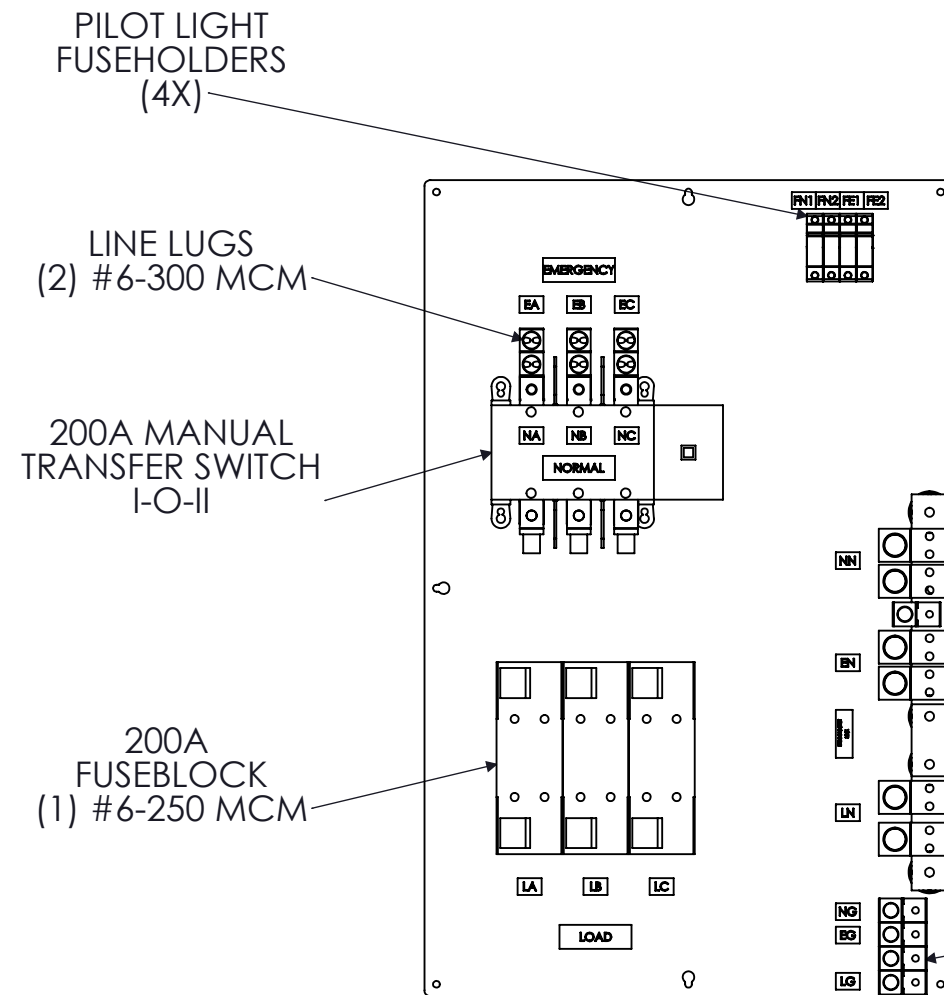

 9900 TWIN LAKES PARKWAY  
 CHARLOTTE, NC 28269  
 704-596-5617  
 PSICONTROLSOLUTIONS.COM

DRAWING TYPE  
**DIMENSIONAL**

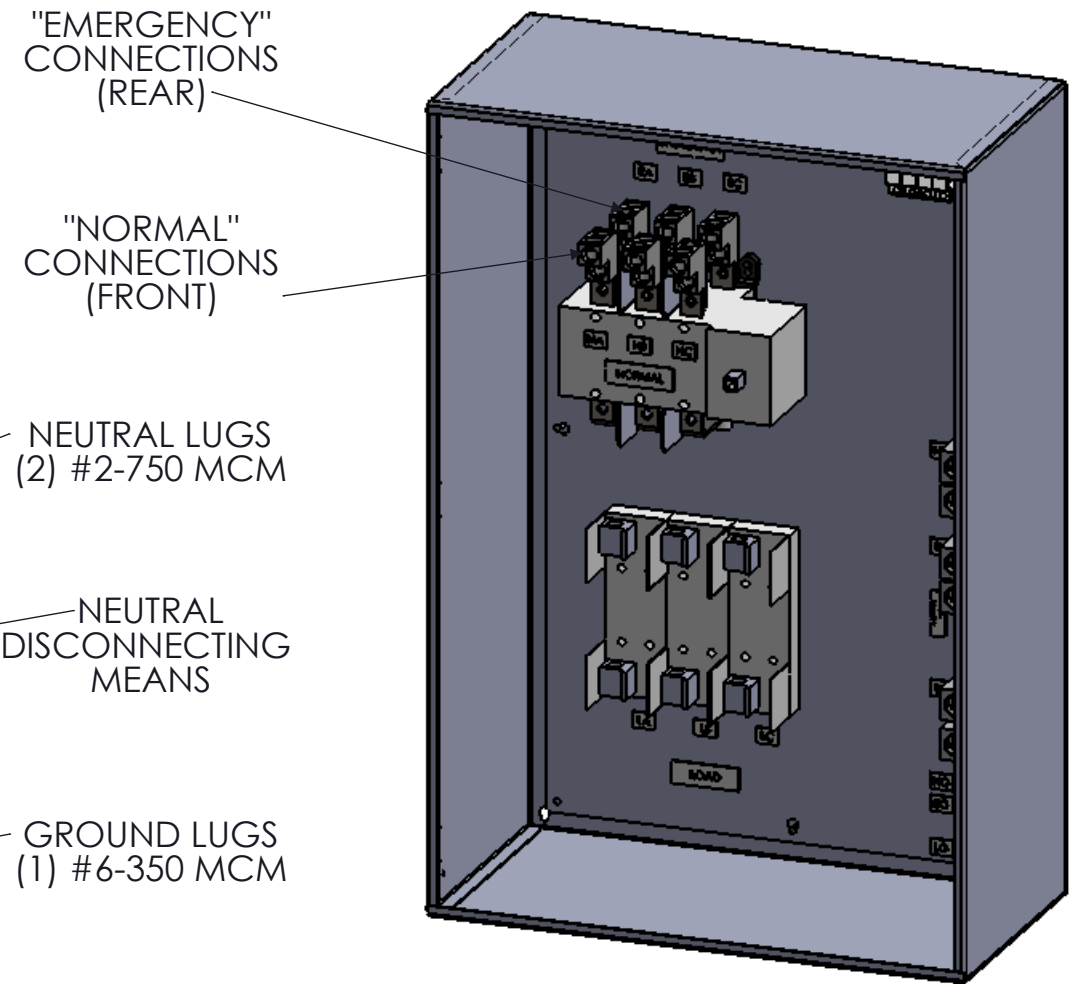
DRAWING NUMBER  
**STS200N1BF3**



FRONT VIEW  
DOOR REMOVED



FRONT VIEW  
ENCLOSURE REMOVED



DIMETRIC VIEW  
DOOR REMOVED

NOTE: FUSES PROVIDED IF PURCHASED  
 208-240VAC : FRN-R-200  
 480-600VAC : LPJ-200SP



9900 TWIN LAKES PARKWAY  
 CHARLOTTE, NC 28269  
 704-596-5617  
 PSICONTROLSOLUTIONS.COM

200A FUSIBLE 3-POLE NEMA 1 MANUAL TRANSFER SWITCH			
REV	DESCRIPTION	DATE	DRAWN S.RICHARDSON
0	ORIGINAL RELEASE	12/16/13	CHECKED
			SUP. NO
			SUP. BY NO
			PANEL NO
			BUL. NO
			GROUP NO
			ORDER NO
			DRAWING TYPE
			OUTLINE
			DRAWING NUMBER
			STS200N1BF3