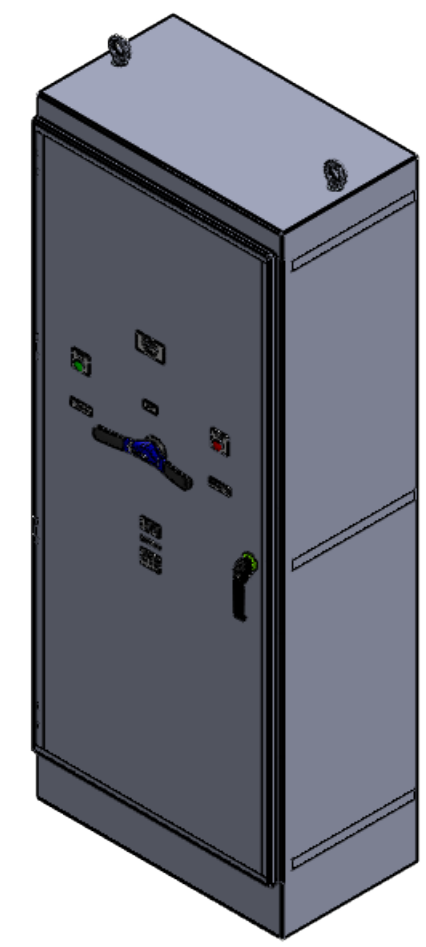
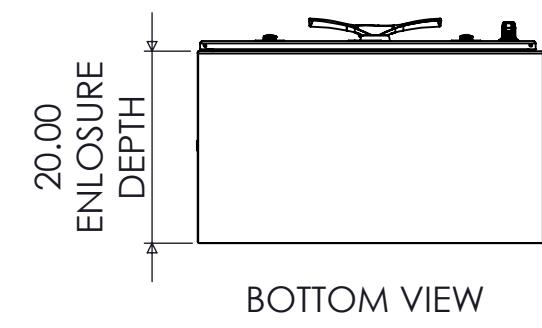
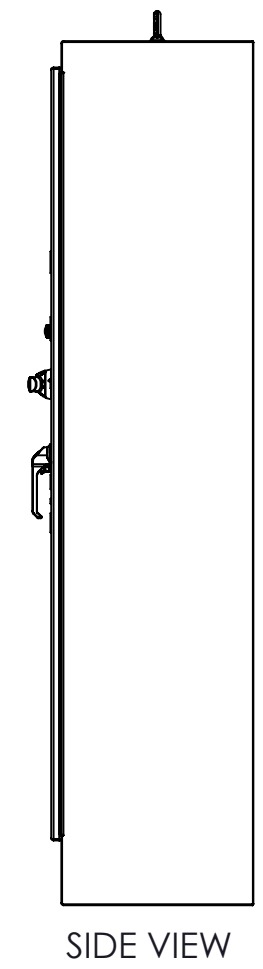
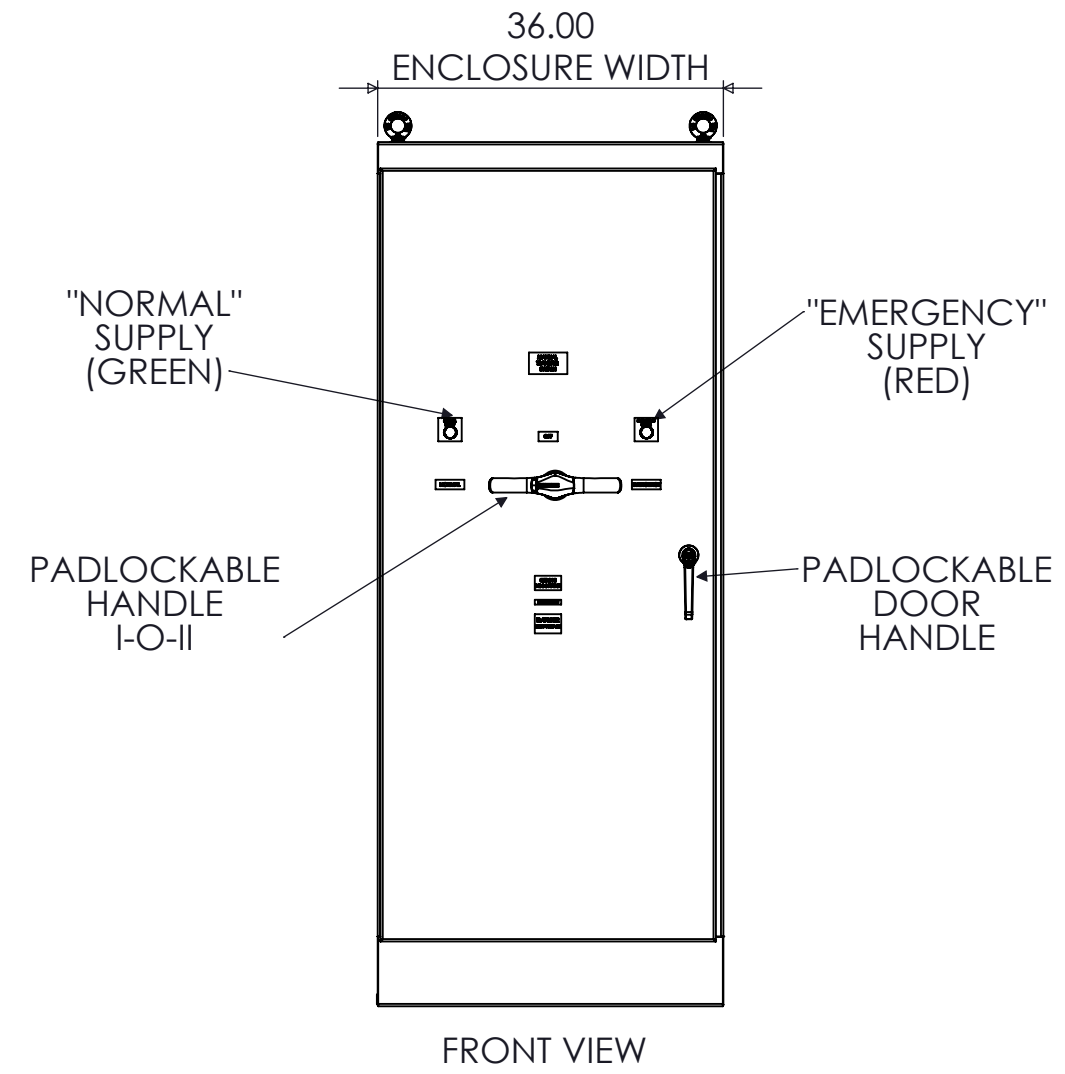
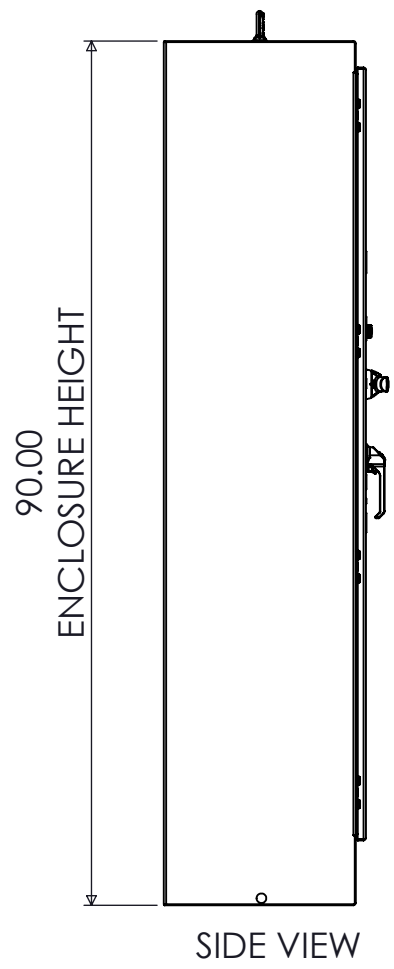
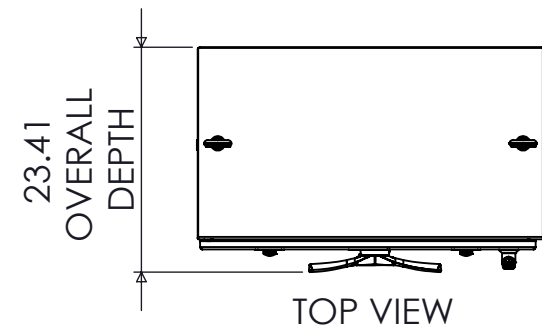


SPECIFICATIONS

MAX VOLTAGE - 600VAC 3 ϕ
 RATED CURRENT - 1600 A
 IEC RATED ONLY - NO UL LISTING
 ENCLOSURE RATING - NEMA 1
 REF. ES100145BF
 DURABILITY - 4000 CYCLES
 EST SHIPPING WEIGHT - 850LBS

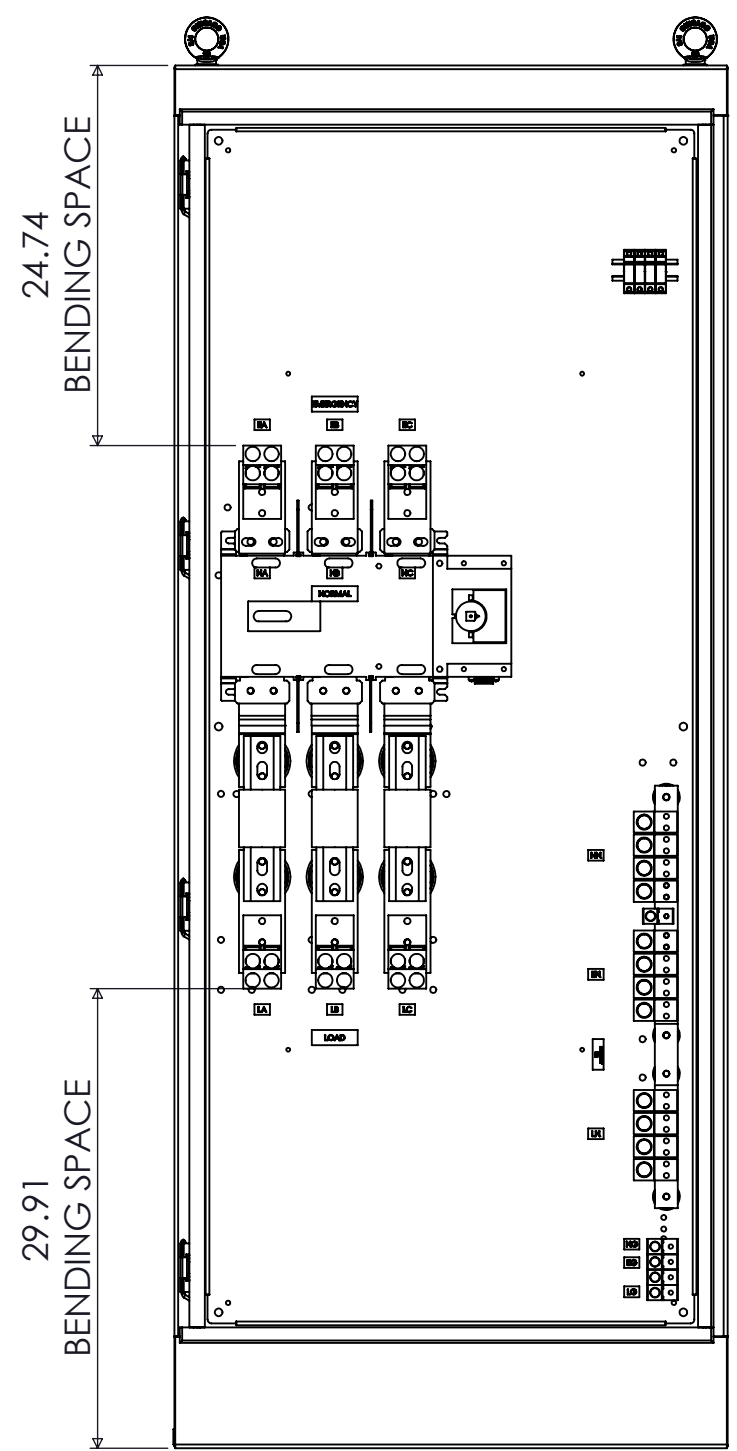


1600A FUSIBLE 3-POLE NEMA 1 MANUAL TRANSFER SWITCH			
REV	DESCRIPTION	DATE	DRAWN S.RICHARDSON
0	ORIGINAL RELEASE	2/5/14	CHECKED
			SUP. NO
			SUP. BY NO
			PANEL NO
			BUL. NO
			GROUP NO
			ORDER NO

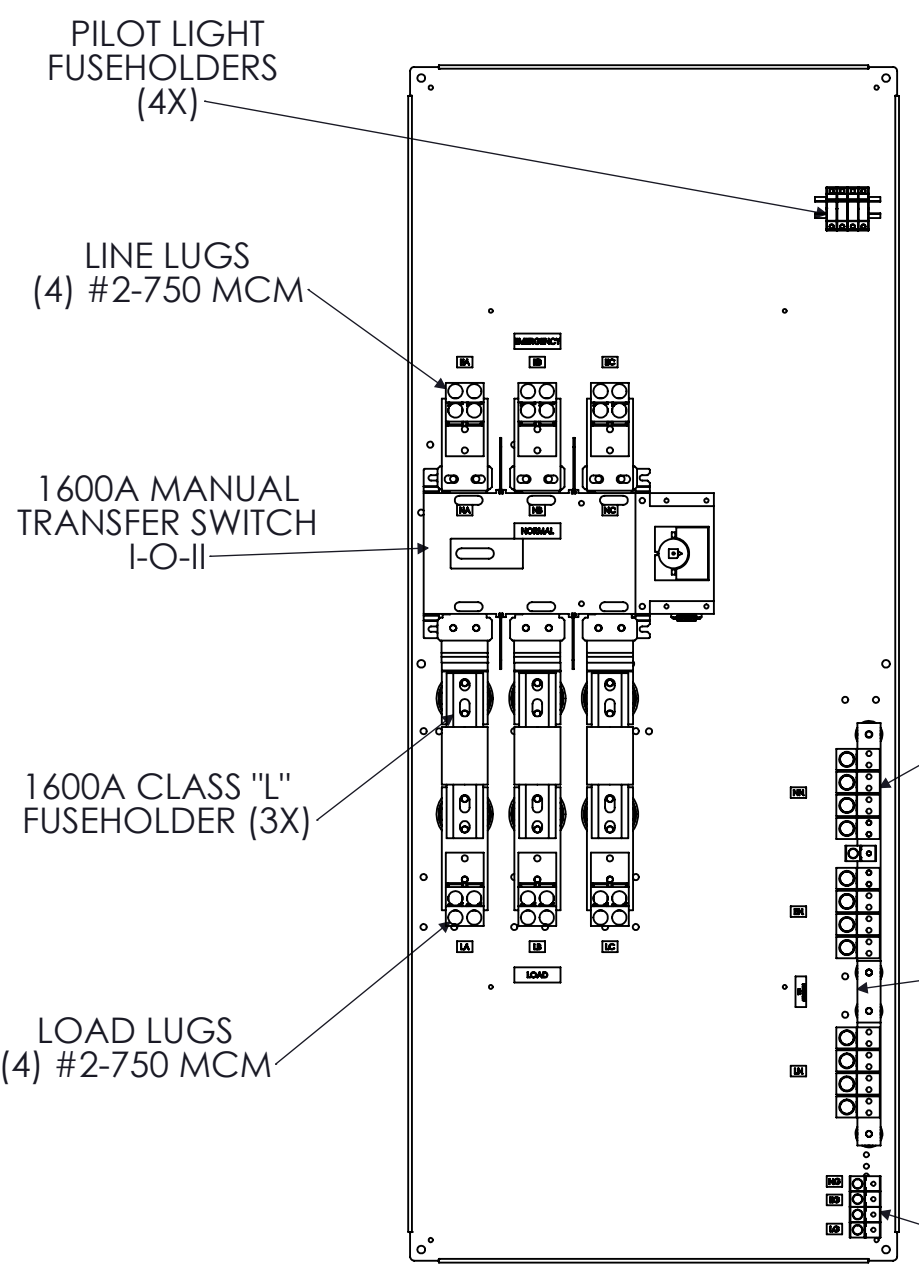
 9900 TWIN LAKES PARKWAY
 CHARLOTTE, NC 28269
 704-596-5617
 PSICONTROLSOLUTIONS.COM

DRAWING TYPE
DIMENSIONAL

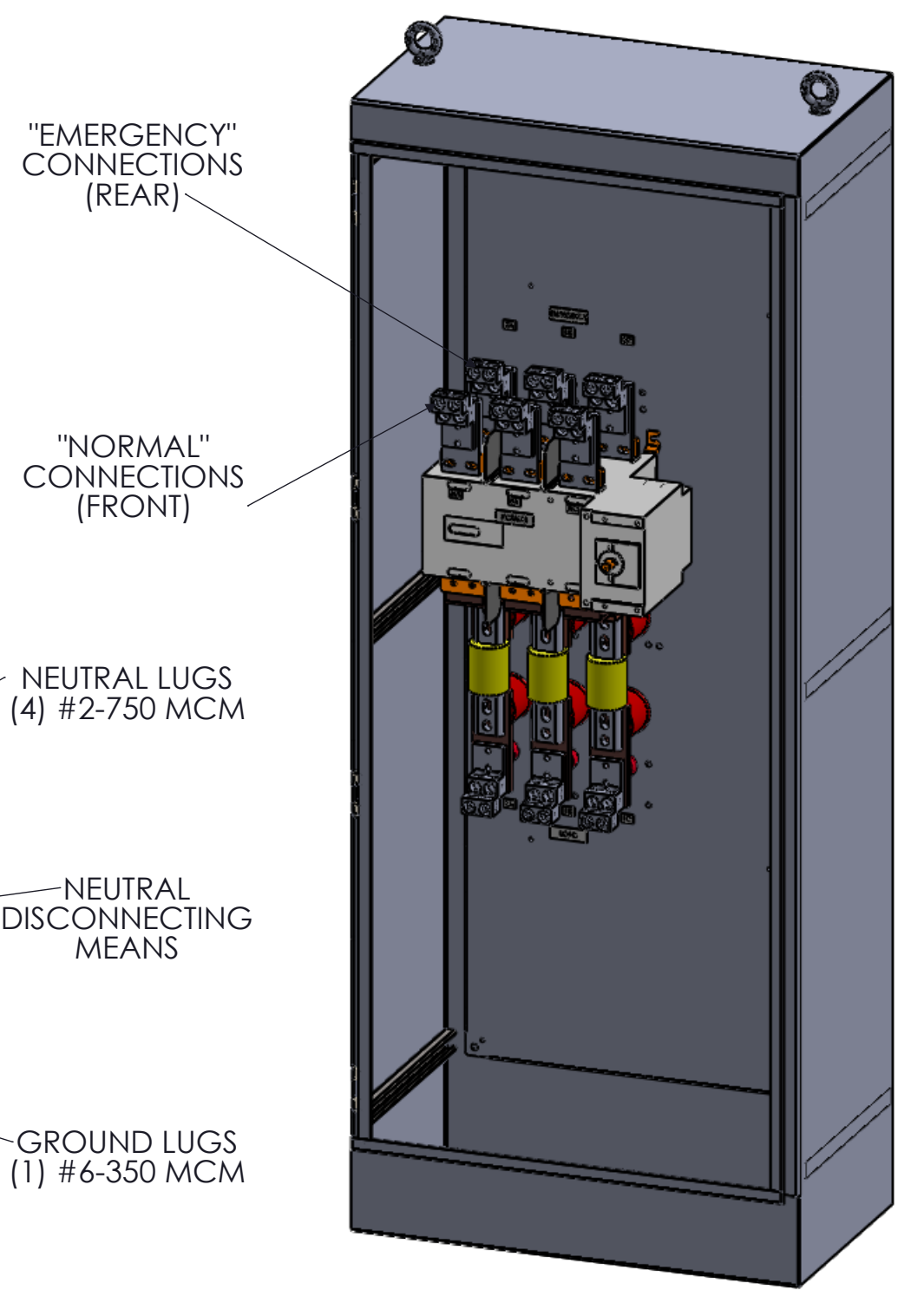
DRAWING NUMBER
STS1600N1BF3



FRONT VIEW
DOOR REMOVED




FRONT VIEW
ENCLOSURE REMOVED



DIMETRIC VIEW
DOOR REMOVED

NOTE: FUSES PROVIDED IF PURCHASED
208-600VAC : KRP-C-1600SP



9900 TWIN LAKES PARKWAY
CHARLOTTE, NC 28269
704-596-5617
PSICONTROLSOLUTIONS.COM

1600A FUSIBLE 3-POLE NEMA 1 MANUAL TRANSFER SWITCH				
REV	DESCRIPTION	DATE	DRAWN	S.RICHARDSON
0	ORIGINAL RELEASE	2/5/14	CHECKED	
			SUP. NO	DRAWING TYPE
			SUP. BY NO	OUTLINE
			PANEL NO	DRAWING NUMBER
			BUL. NO	STS1600N1BF3
			GROUP NO	
			ORDER NO	