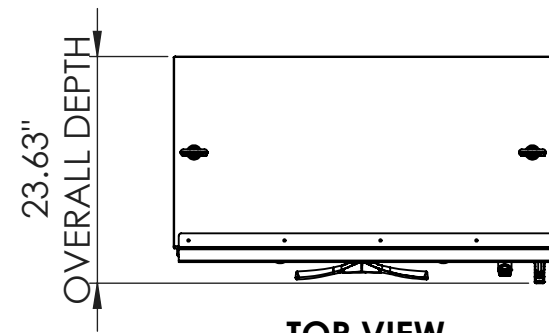
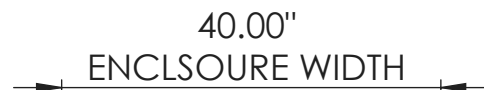


SPECIFICATIONS

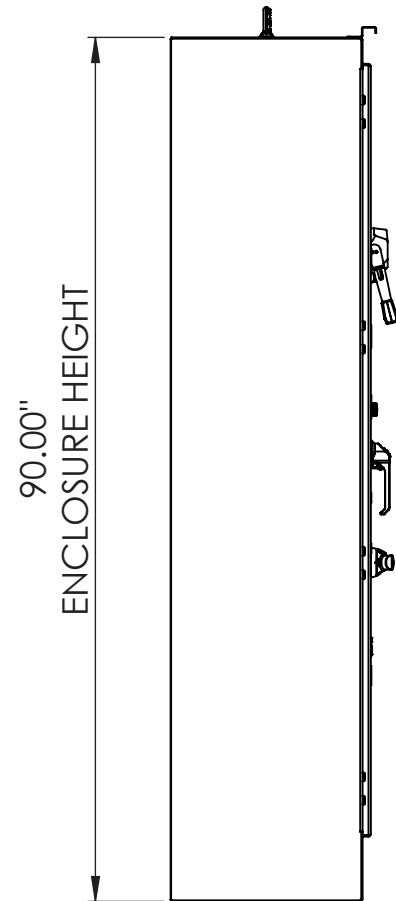
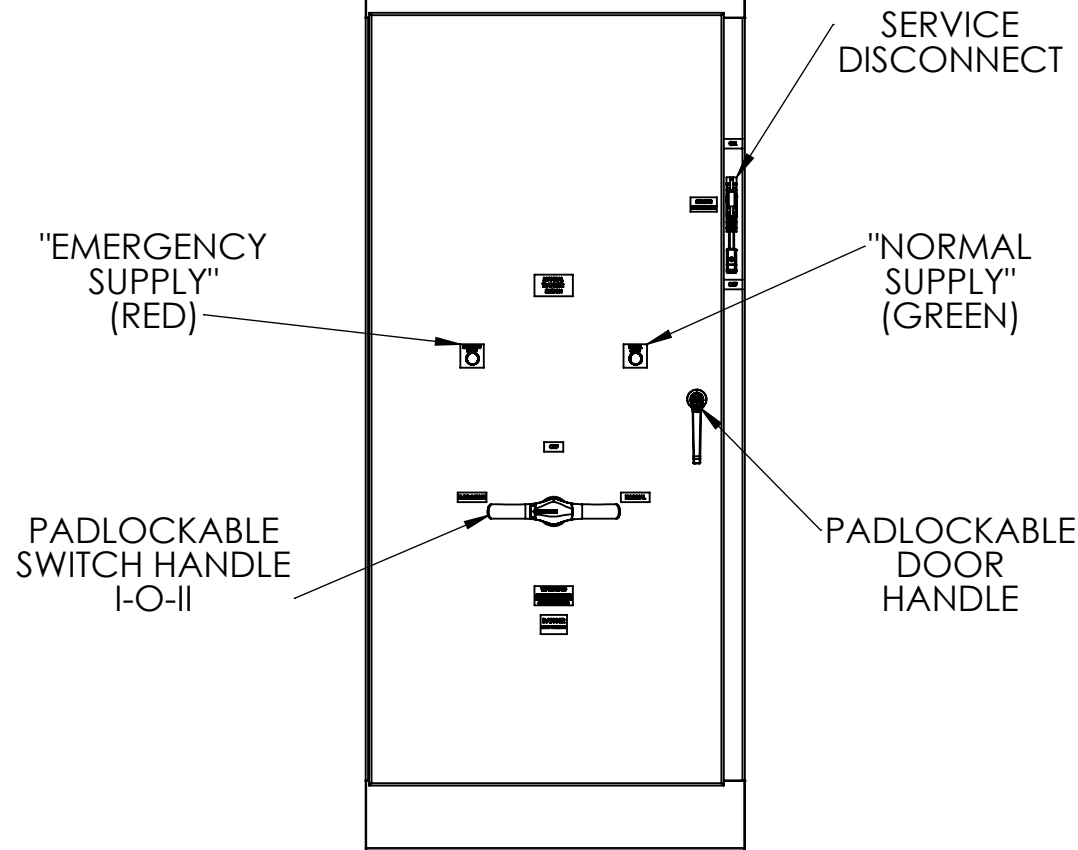
MAX VOLTAGE - 600VAC 3Ø
 RATED CURRENT - 1200A
 STANDARDS - UL508A
 ENCLOSURE RATING - NEMA 3R
 REF. - ES100145SE3B
 DURABILITY - 3550 CYCLES
 EST. SHIPPING WEIGHT - 850LBS



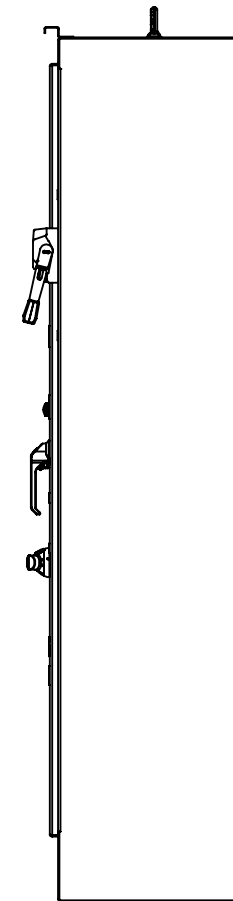
TOP VIEW



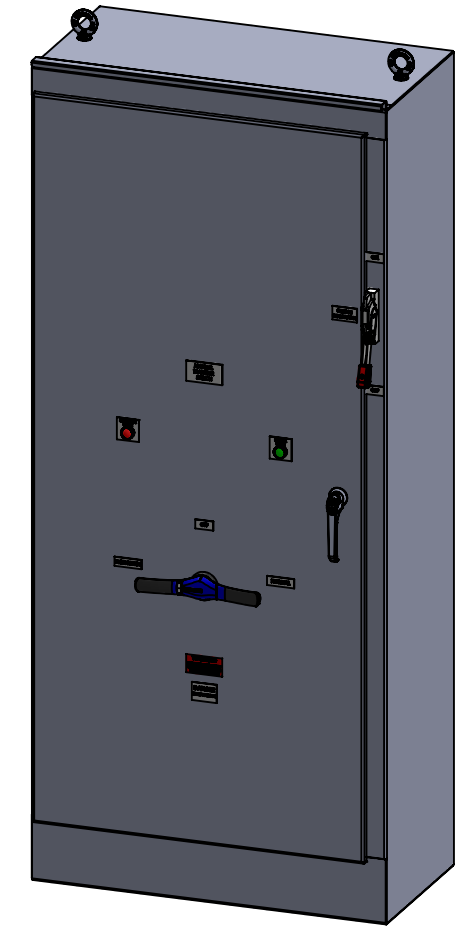
FRONT VIEW



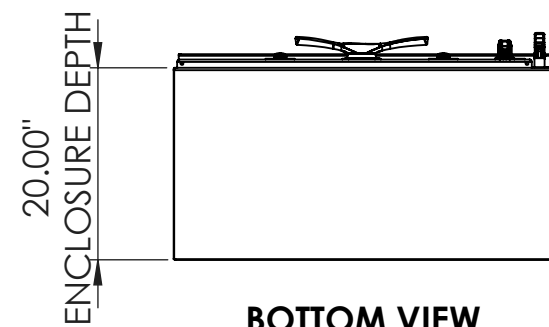
SIDE VIEW



SIDE VIEW



DIMETRIC VIEW

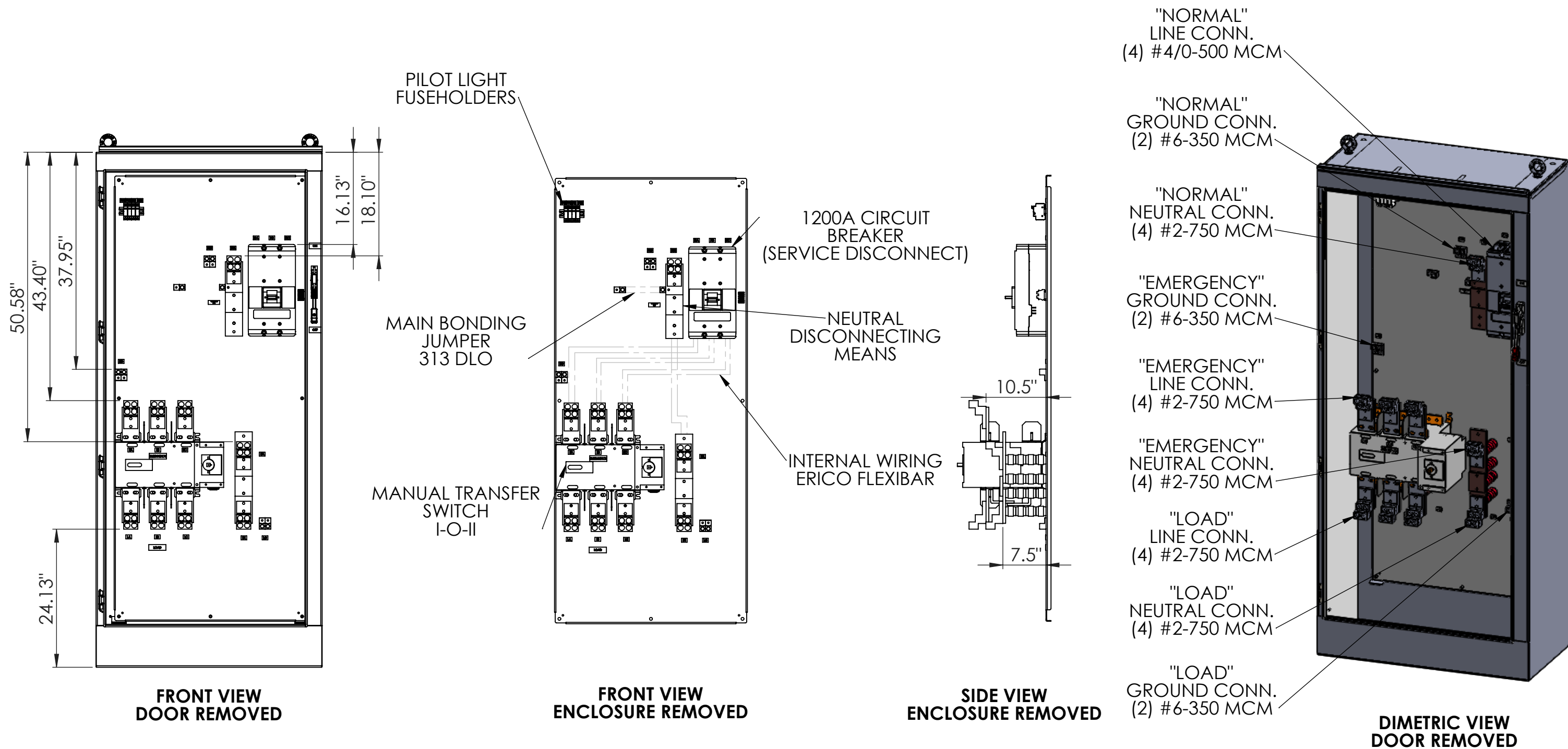


BOTTOM VIEW

 9900 TWIN LAKES PARKWAY
 CHARLOTTE, NC 28269
 704-596-5617
 PSICONTROLSOLUTIONS.COM

1200A SE-RATED 3-POLE NEMA 3R MANUAL TRANSFER SWITCH			
REV	DESCRIPTION	DATE	DRAWN: D. DENNY
0	ORIGINAL RELEASE	3/14/18	CHECKED:
			SUP. NO:
			SUP. BY NO:
			PANEL NO:
			BUL. NO:
			GROUP NO:
			ORDER NO:

DRAWING TYPE	DIMENSIONAL
DRAWING NUMBER	STS1200N3RSE3



1200A SE-RATED 3-POLE NEMA 3R MANUAL TRANSFER SWITCH

REV	DESCRIPTION	DATE	DRAWN: D. DENNY	
0	ORIGINAL RELEASE	3/14/18	CHECKED:	
			SUP. NO:	DRAWING TYPE
			SUP. BY NO:	OUTLINE
			PANEL NO:	DRAWING NUMBER
			BUL. NO:	STS1200N3RSE3
			GROUP NO:	
			ORDER NO:	


 9900 TWIN LAKES PARKWAY
 CHARLOTTE, NC 28269
 704-596-5617
 PSICONTROLSOLUTIONS.COM