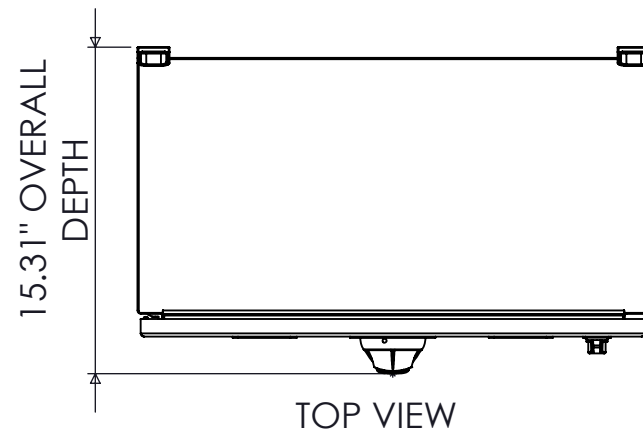
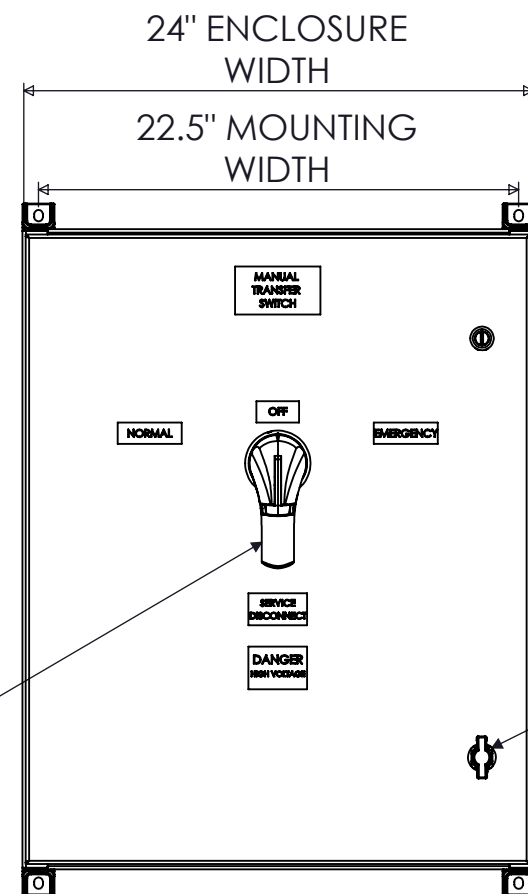


SPECIFICATIONS

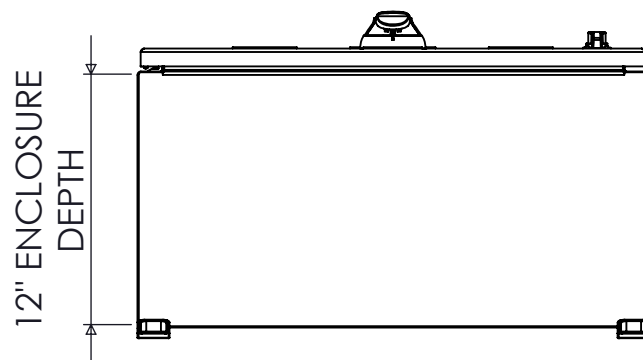
MAX VOLTAGE - 600VAC 3 ϕ
 RATED CURRENT - 100 A
 STANDARDS - UL508A
 ENCLOSURE RATING - NEMA 4X
 TYPE 316 STAINLESS STEEL
 REF. ES100145SE3A
 DURABILITY - 6050 CYCLES
 EST SHIPPING WEIGHT - 135LBS



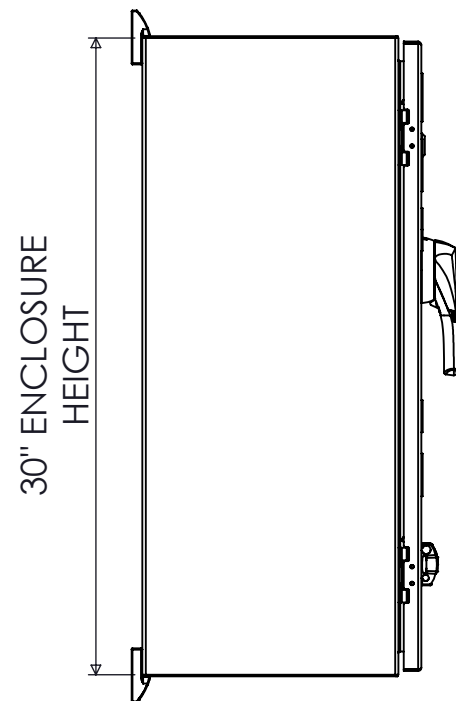
TOP VIEW



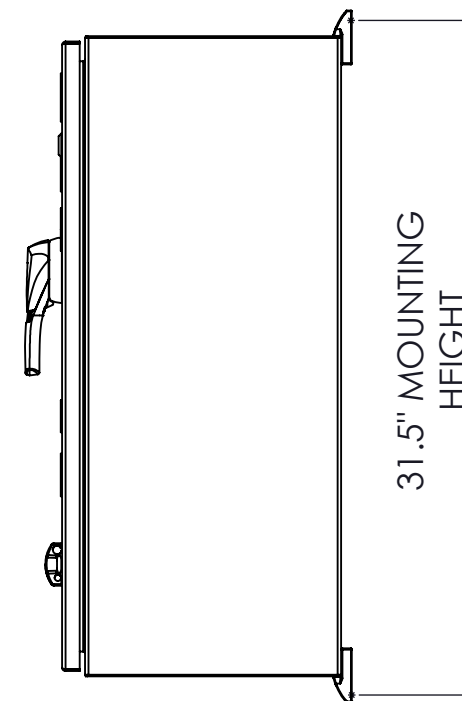
FRONT VIEW



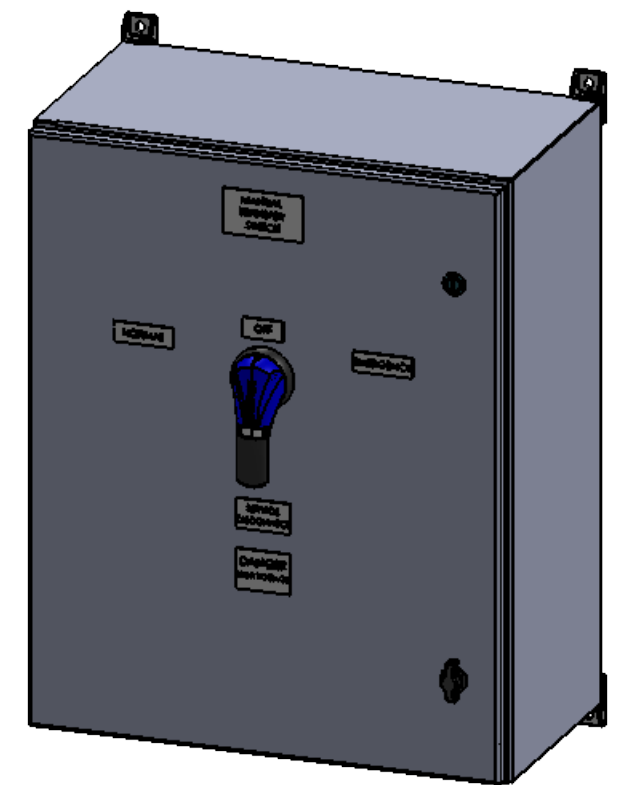
BOTTOM VIEW



SIDE VIEW



SIDE VIEW



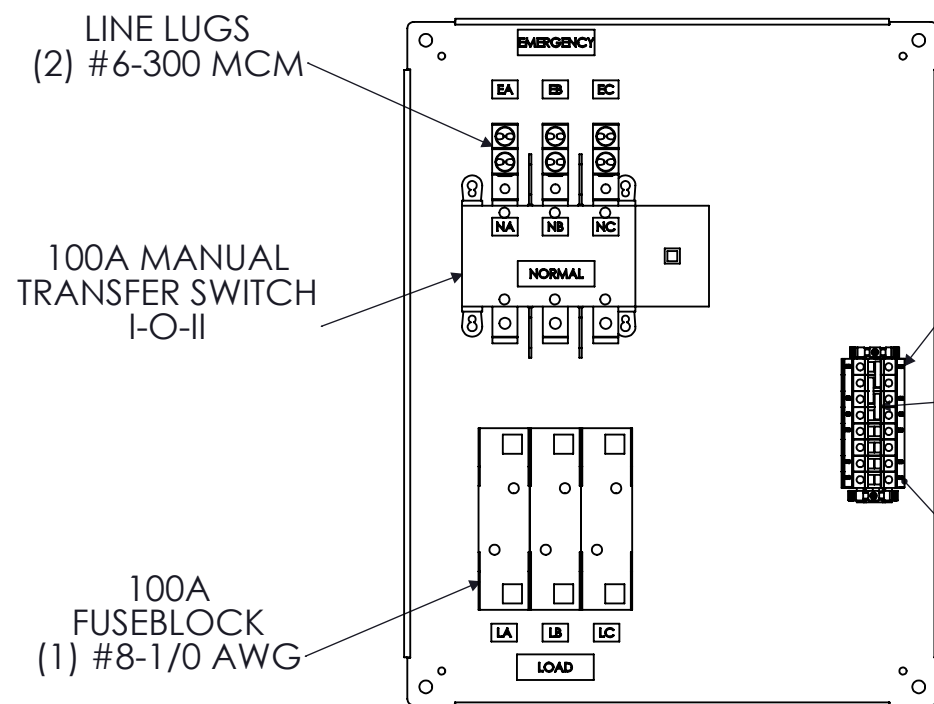
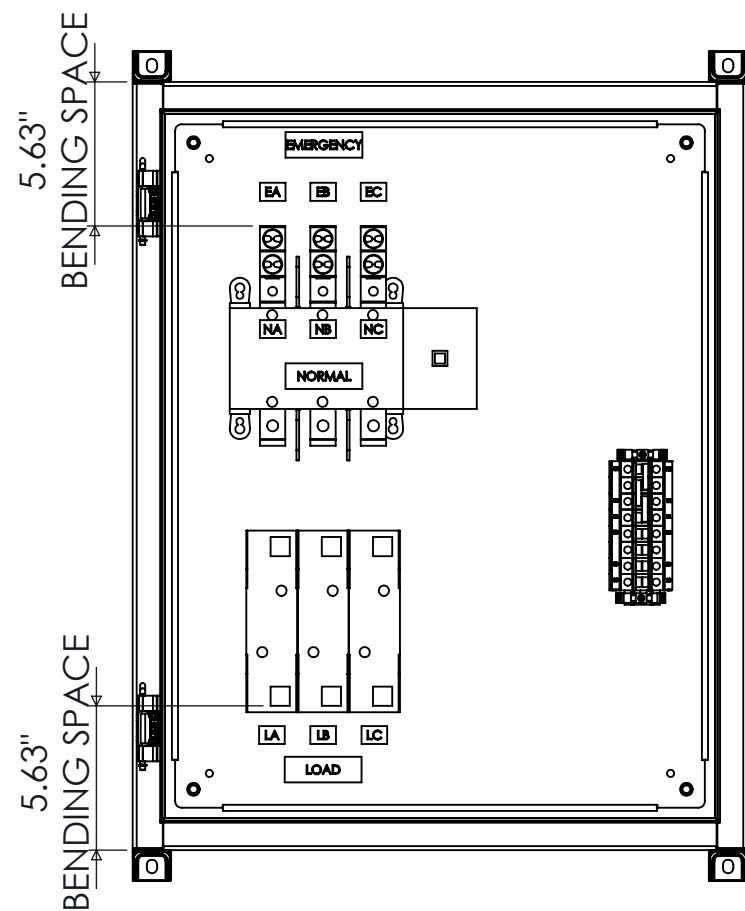
DIMETRIC VIEW

100A SE-RATED 3-POLE NEMA 4X MANUAL TRANSFER SWITCH

REV	DESCRIPTION	DATE	DRAWN	S.RICHARDSON
0	ORIGINAL RELEASE	12/7/13	CHECKED	
			SUP. NO	DRAWING TYPE
			SUP. BY NO	DIMENSIONAL
			PANEL NO	DRAWING NUMBER
			BUL. NO	STS100N4XSE3
			GROUP NO	
			ORDER NO	



9900 TWIN LAKES PARKWAY
 CHARLOTTE, NC 28269
 704-596-5617
 PSICONTROLSOLUTIONS.COM



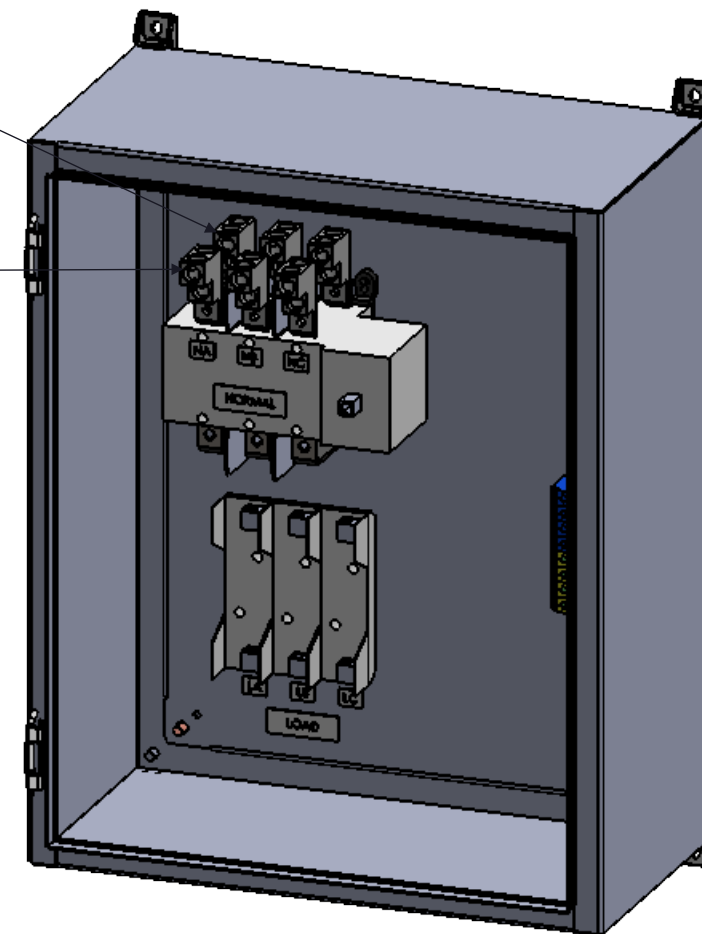
"EMERGENCY"
CONNECTIONS
(REAR)

"NORMAL"
CONNECTIONS
(FRONT)

NEUTRAL TERMINALS
(1) #14-1/0 AWG

NEUTRAL
DISCONNECTING
MEANS

GROUND TERMINALS
(1) #14-1/0 AWG



NOTE: FUSES PROVIDED IF PURCHASED
208-240VAC : FRN-R-100
480-600VAC : LPJ-100SP

 9900 TWIN LAKES PARKWAY
CHARLOTTE, NC 28269
704-596-5617
PSICONTROLSOLUTIONS.COM

100A SE-RATED 3-POLE NEMA 4X MANUAL TRANSFER SWITCH

REV	DESCRIPTION	DATE	DRAWN	S.RICHARDSON	
0	ORIGINAL RELEASE	12/7/13	CHECKED		
			SUP. NO		DRAWING TYPE
			SUP. BY NO		OUTLINE
			PANEL NO		DRAWING NUMBER
			BUL. NO		STS100N4XSE3
			GROUP NO		
			ORDER NO		