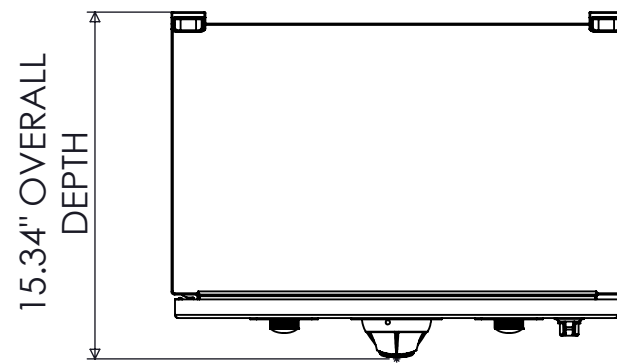


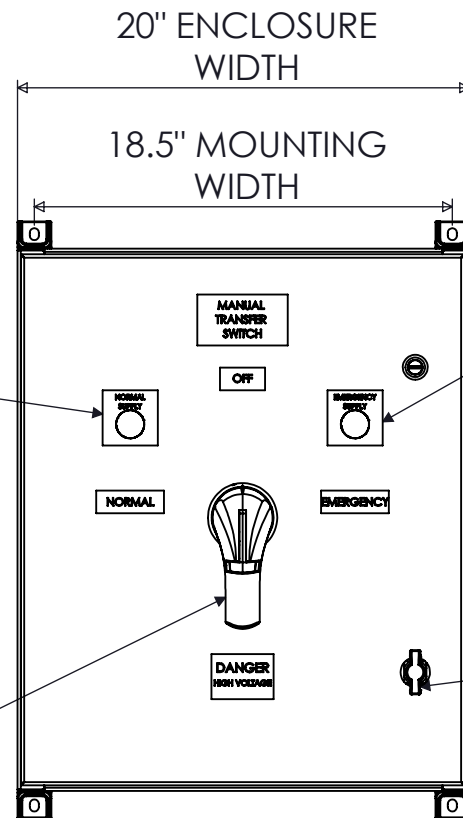
SPECIFICATIONS

MAX VOLTAGE - 600VAC 3 ϕ
 RATED CURRENT - 100 A
 STANDARDS - UL508A
 ENCLOSURE RATING - NEMA 4X
 TYPE 316 STAINLESS STEEL
 REF. ES100145NF
 DURABILITY - 6050 CYCLES
 EST SHIPPING WEIGHT - 130LBS



15.34" OVERALL DEPTH

TOP VIEW



20" ENCLOSURE WIDTH

18.5" MOUNTING WIDTH

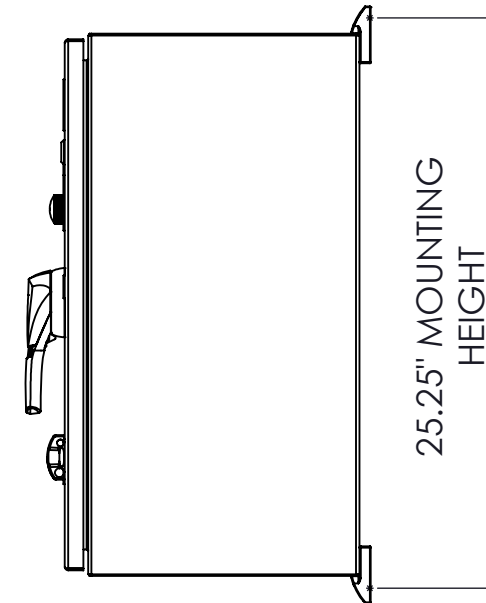
"NORMAL SUPPLY" (GREEN)

"EMERGENCY SUPPLY" (RED)

PADLOCKABLE HANDLE I-O-II

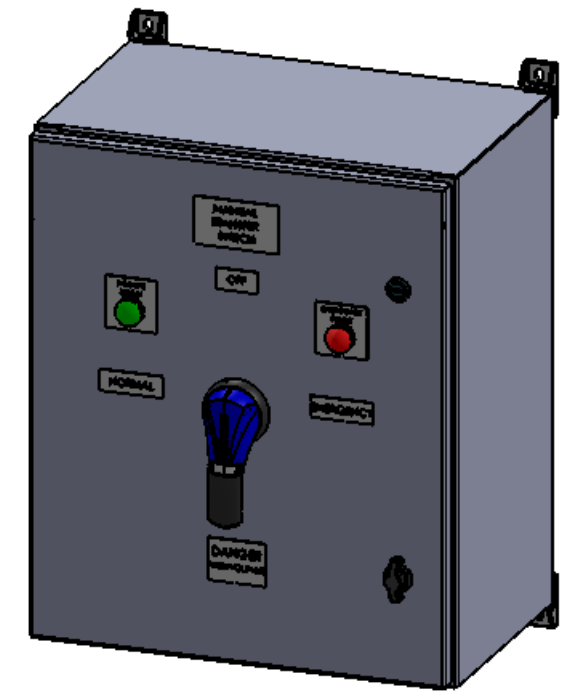
PADLOCKABLE WINGKNOB LATCH

FRONT VIEW

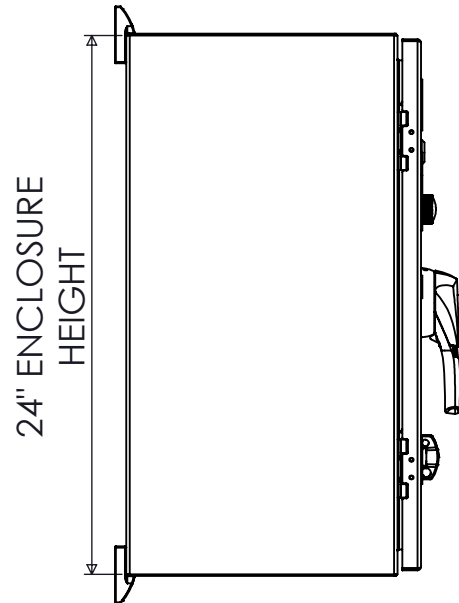


25.25" MOUNTING HEIGHT

SIDE VIEW

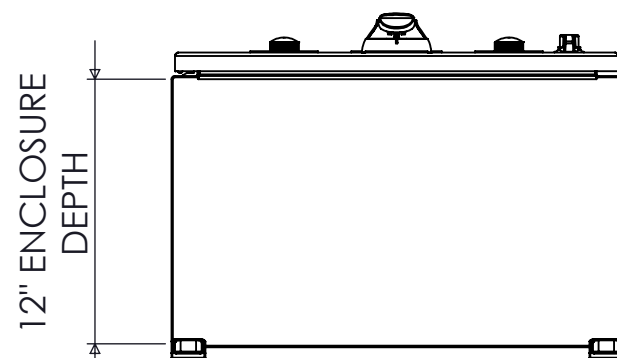


DIMETRIC VIEW



24" ENCLOSURE HEIGHT

SIDE VIEW



12" ENCLOSURE DEPTH

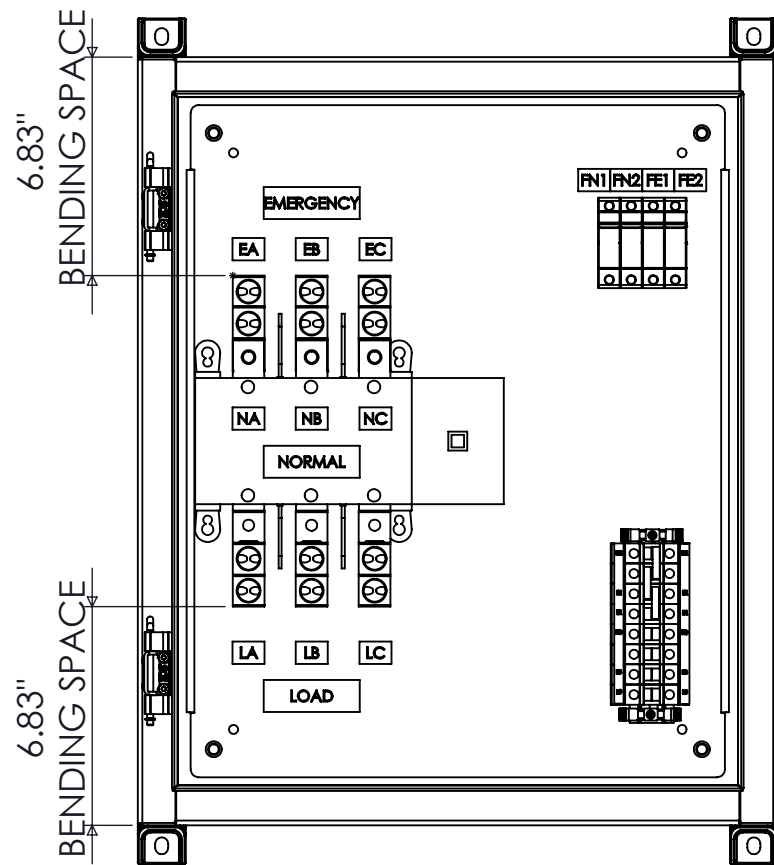
BOTTOM VIEW



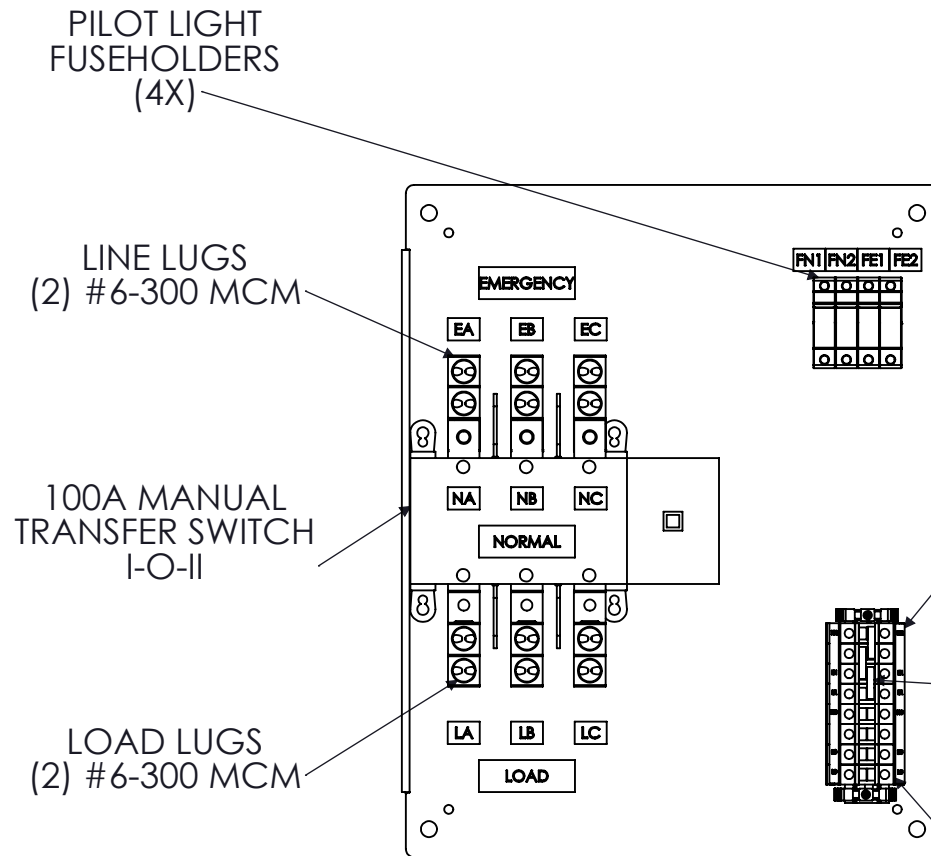
9900 TWIN LAKES PARKWAY
 CHARLOTTE, NC 28269
 704-596-5617
 PSICONTROLSOLUTIONS.COM

100A NON-FUSIBLE 3-POLE NEMA 4X MANUAL TRANSFER SWITCH			
REV	DESCRIPTION	DATE	DRAWN S.RICHARDSON
0	ORIGINAL RELEASE	12/7/13	CHECKED
			SUP. NO
			SUP. BY NO
			PANEL NO
			BUIL. NO
			GROUP NO
			ORDER NO

DRAWING TYPE
DIMENSIONAL
 DRAWING NUMBER
STS100N4XNF3



FRONT VIEW
DOOR REMOVED



FRONT VIEW
ENCLOSURE REMOVED

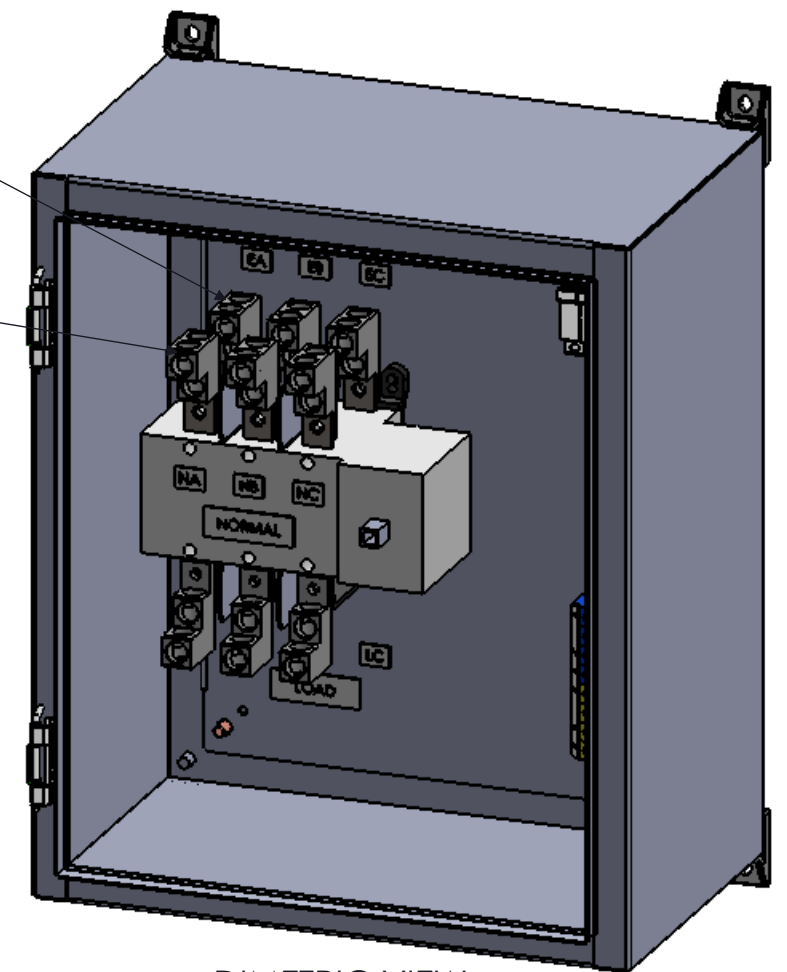
"EMERGENCY"
CONNECTIONS
(REAR)

"NORMAL"
CONNECTIONS
(FRONT)

NEUTRAL TERMINALS
(1) #14-1/0 AWG

NEUTRAL
DISCONNECTING
MEANS

GROUND TERMINALS
(1) #14-1/0 AWG



DIMETRIC VIEW
DOOR REMOVED

100A NON-FUSIBLE 3-POLE NEMA 4X MANUAL TRANSFER SWITCH

REV	DESCRIPTION	DATE	DRAWN	S.RICHARDSON	
0	ORIGINAL RELEASE	12/7/13	CHECKED		
			SUP. NO		DRAWING TYPE
			SUP. BY NO		OUTLINE
			PANEL NO		DRAWING NUMBER
			BUL. NO		STS100N4XNF3
			GROUP NO		
			ORDER NO		