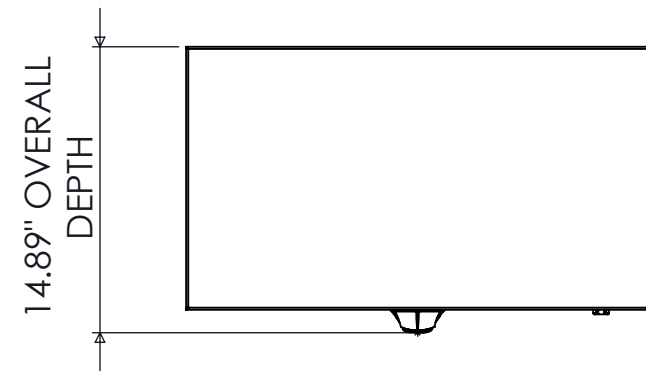
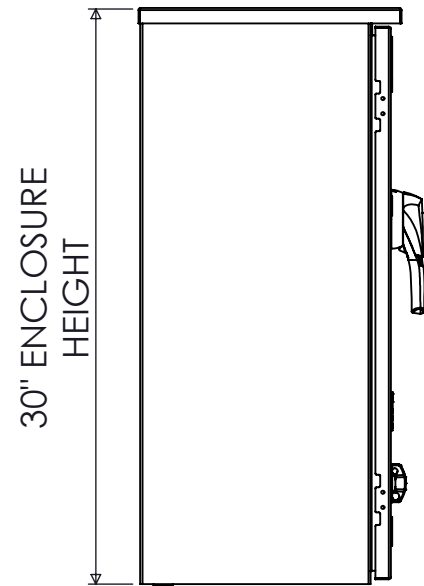


SPECIFICATIONS

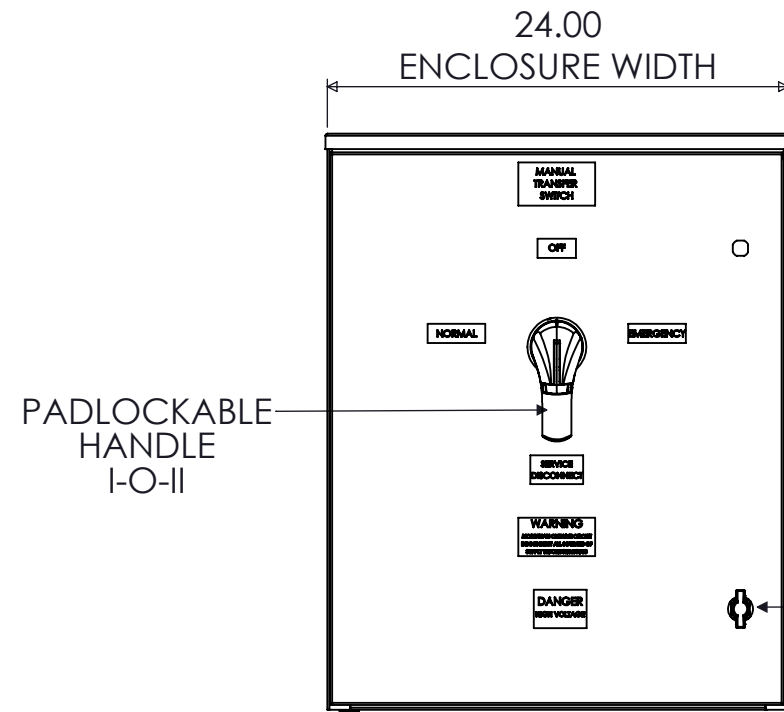
MAX VOLTAGE - 600VAC 3 ϕ
 RATED CURRENT - 100 A
 STANDARDS - UL508A
 ENCLOSURE RATING - NEMA 3R
 REF. ES100145SE3
 DURABILITY - 6050 CYCLES
 EST SHIPPING WEIGHT - 135LBS



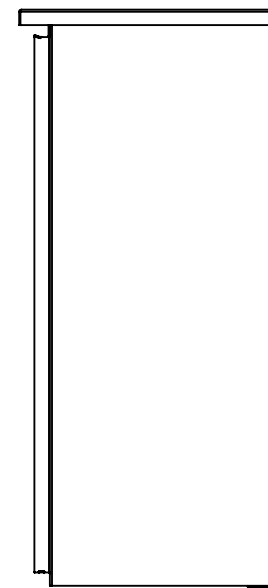
TOP VIEW



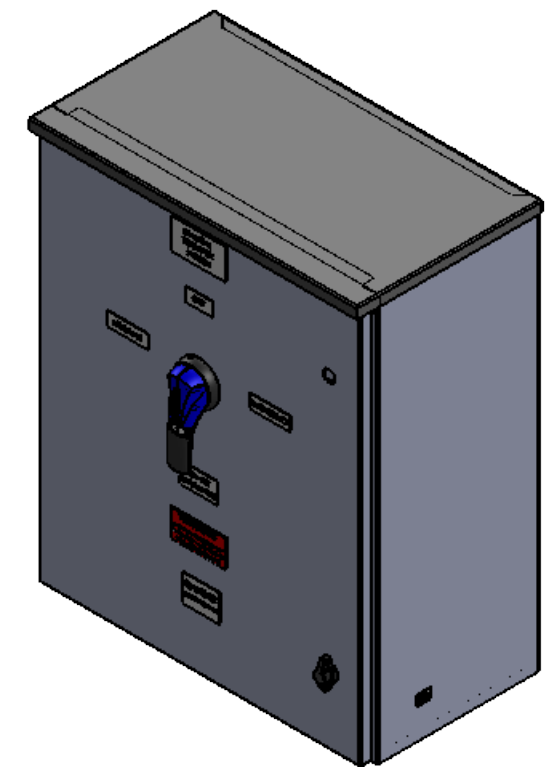
SIDE VIEW



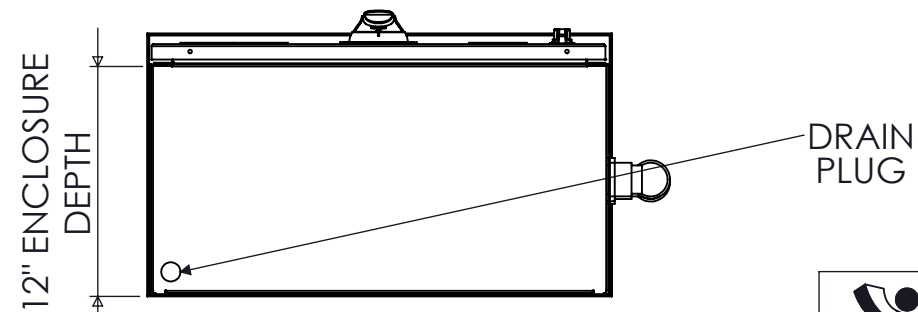
FRONT VIEW



SIDE VIEW



DIMETRIC VIEW



BOTTOM VIEW

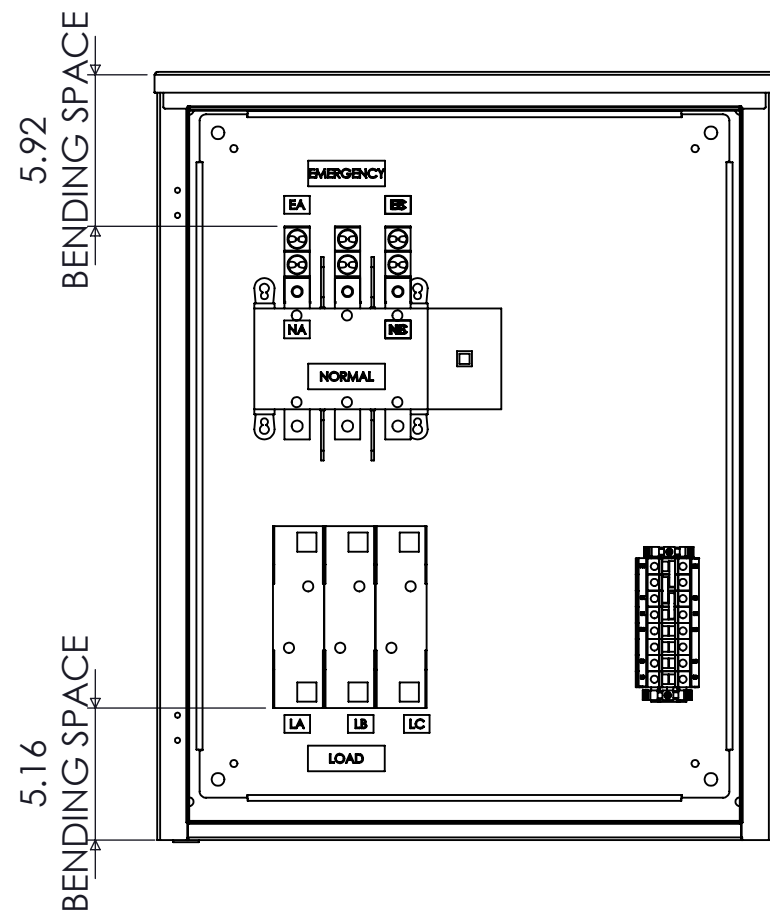


9900 TWIN LAKES PARKWAY
 CHARLOTTE, NC 28269
 704-596-5617
 PSICONTROLSOLUTIONS.COM

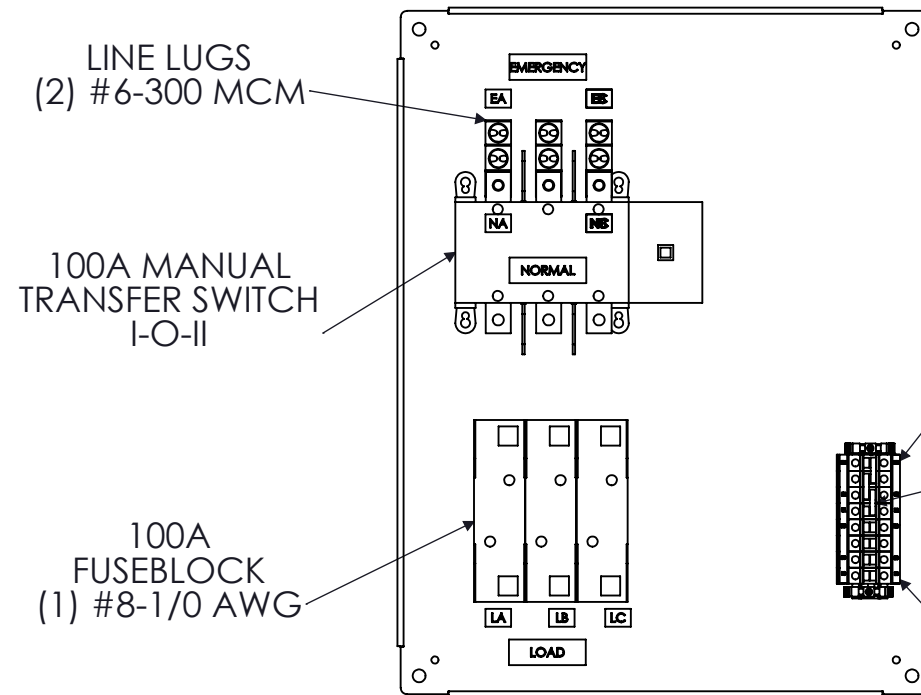
100A SE-RATED 3-POLE NEMA 3R MANUAL TRANSFER SWITCH			
REV	DESCRIPTION	DATE	DRAWN JG
0	ORIGINAL RELEASE	2/5/18	CHECKED
			SUP. NO
			SUP. BY NO
			PANEL NO
			BUIL. NO
			GROUP NO
			ORDER NO

DRAWING TYPE
DIMENSIONAL

DRAWING NUMBER
STS100N3RSE3



FRONT VIEW
DOOR REMOVED



FRONT VIEW
ENCLOSURE REMOVED

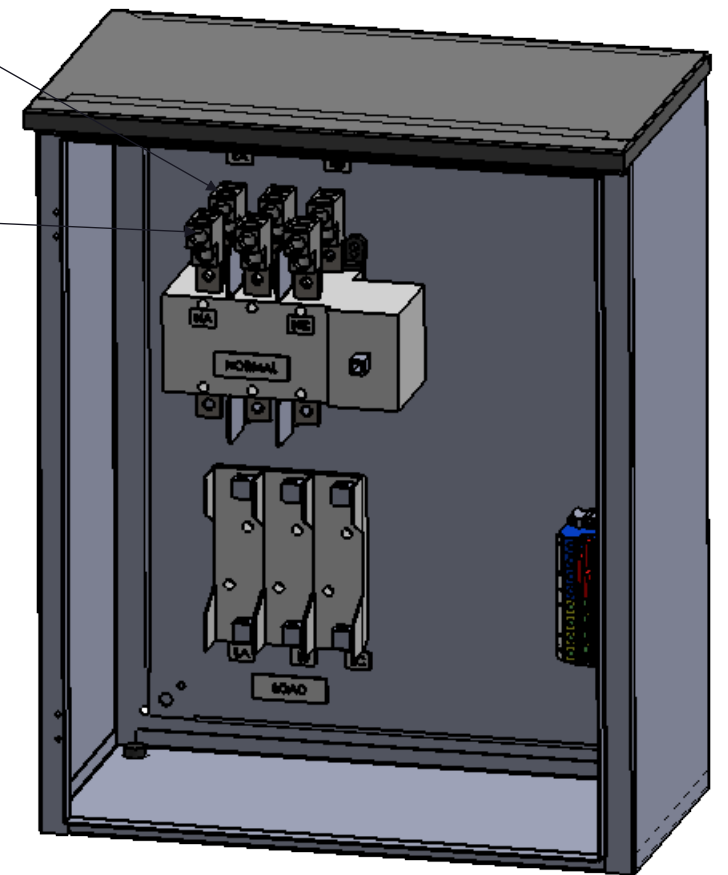
"EMERGENCY"
CONNECTION
(CAM-LOKS)

"NORMAL"
CONNECTION
(FRONT)

NEUTRAL TERMINALS
(1) #14-1/0 AWG

NEUTRAL
DISCONNECTING
MEANS

GROUND TERMINALS
(1) #14-1/0 AWG



DIMETRIC VIEW
DOOR REMOVED

NOTE: FUSES PROVIDED IF PURCHASED
208-240VAC : FRN-R-100
480-600VAC : LPJ-100SP



9900 TWIN LAKES PARKWAY
CHARLOTTE, NC 28269
704-596-5617
PSICONTROLSOLUTIONS.COM

100A SE-RATED 3-POLE NEMA 3R MANUAL TRANSFER SWITCH					
REV	DESCRIPTION	DATE	DRAWN	JG	
0	ORIGINAL RELEASE	12/7/13	CHECKED		
			SUP. NO		DRAWING TYPE
			SUP. BY NO		OUTLINE
			PANEL NO		DRAWING NUMBER
			BUL. NO		STS100N3RSE3
			GROUP NO		
			ORDER NO		