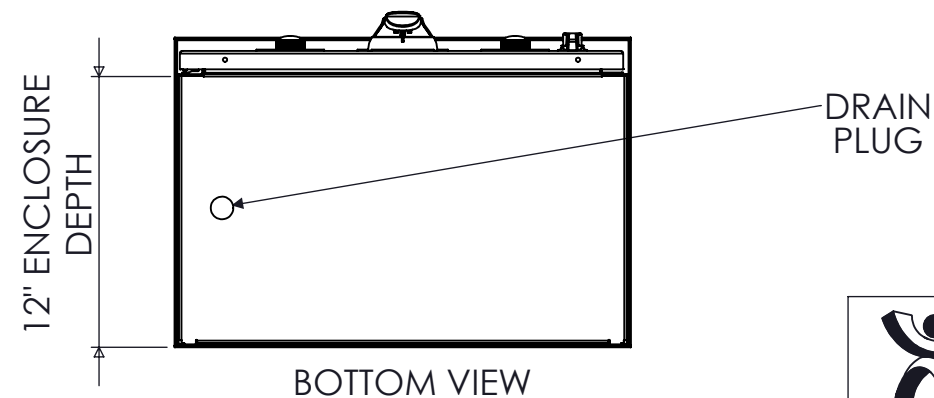
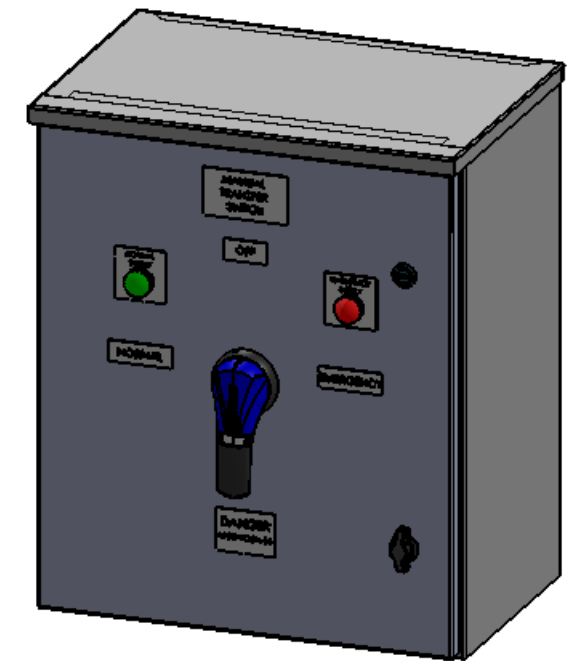
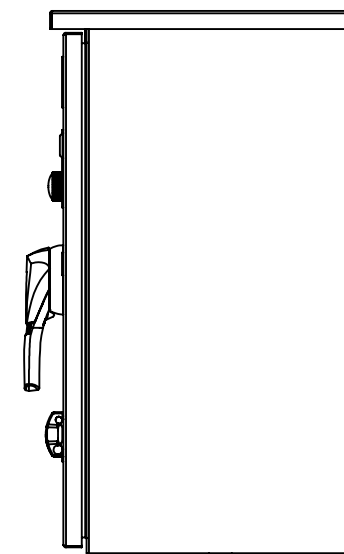
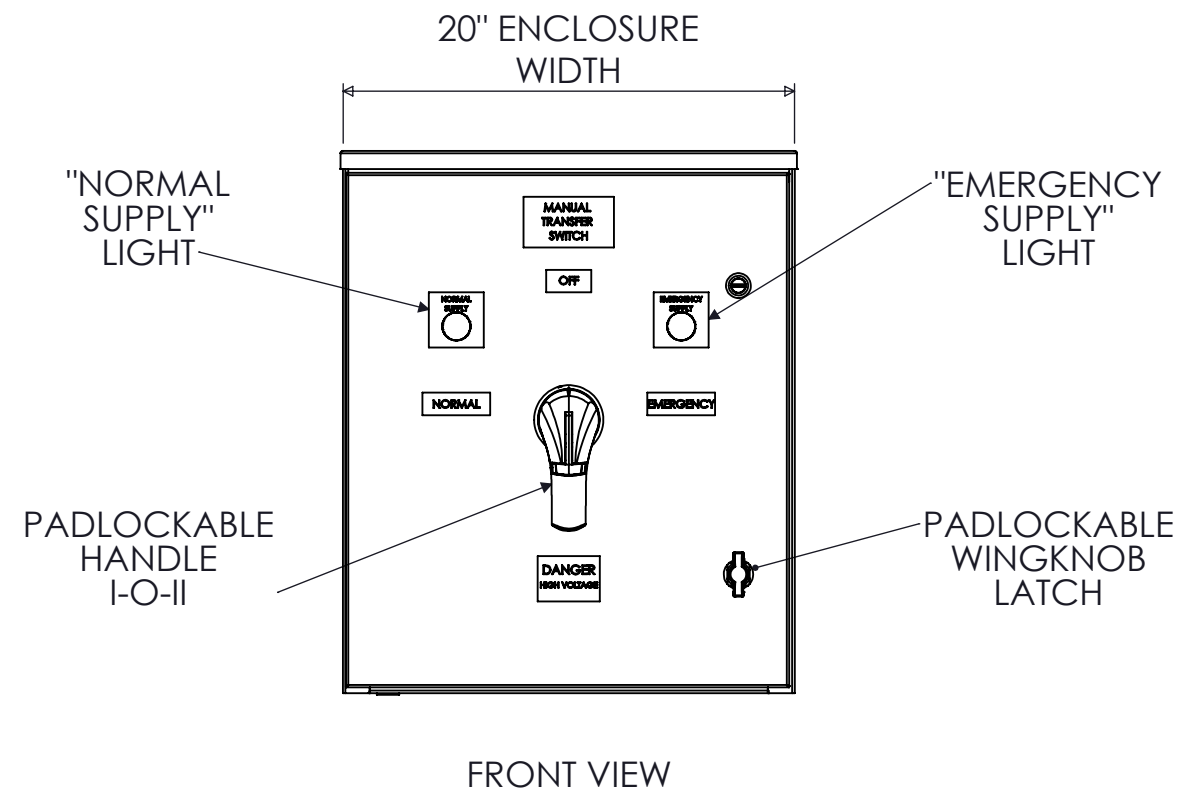
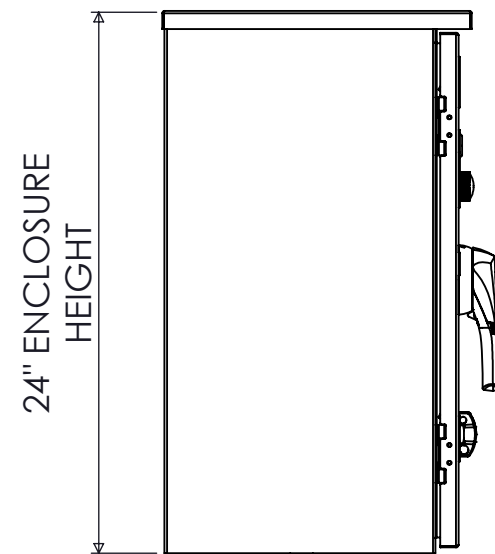
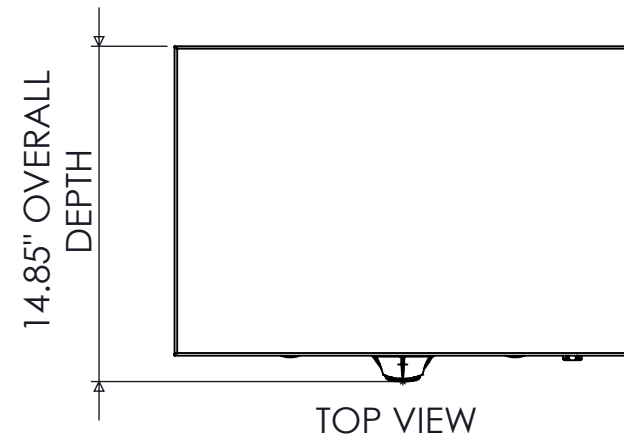


**SPECIFICATIONS**

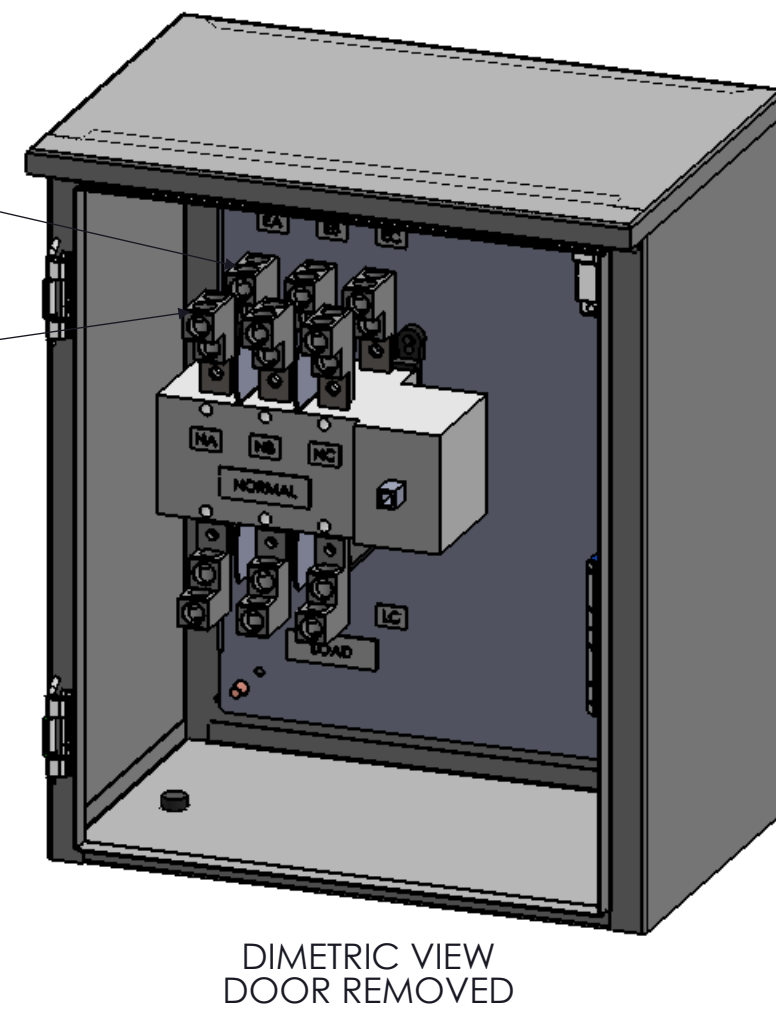
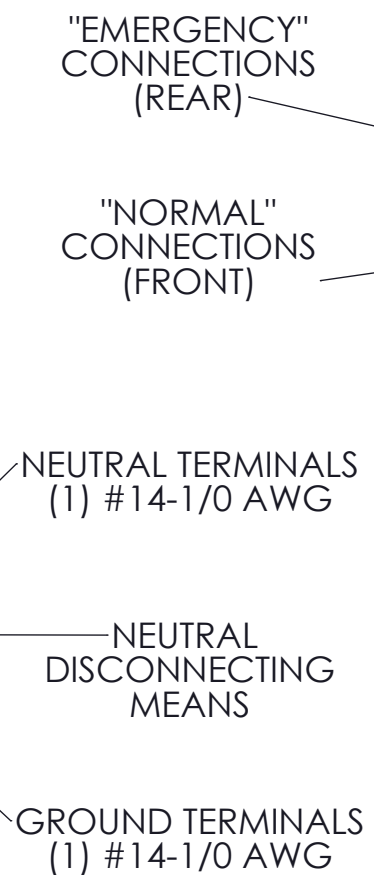
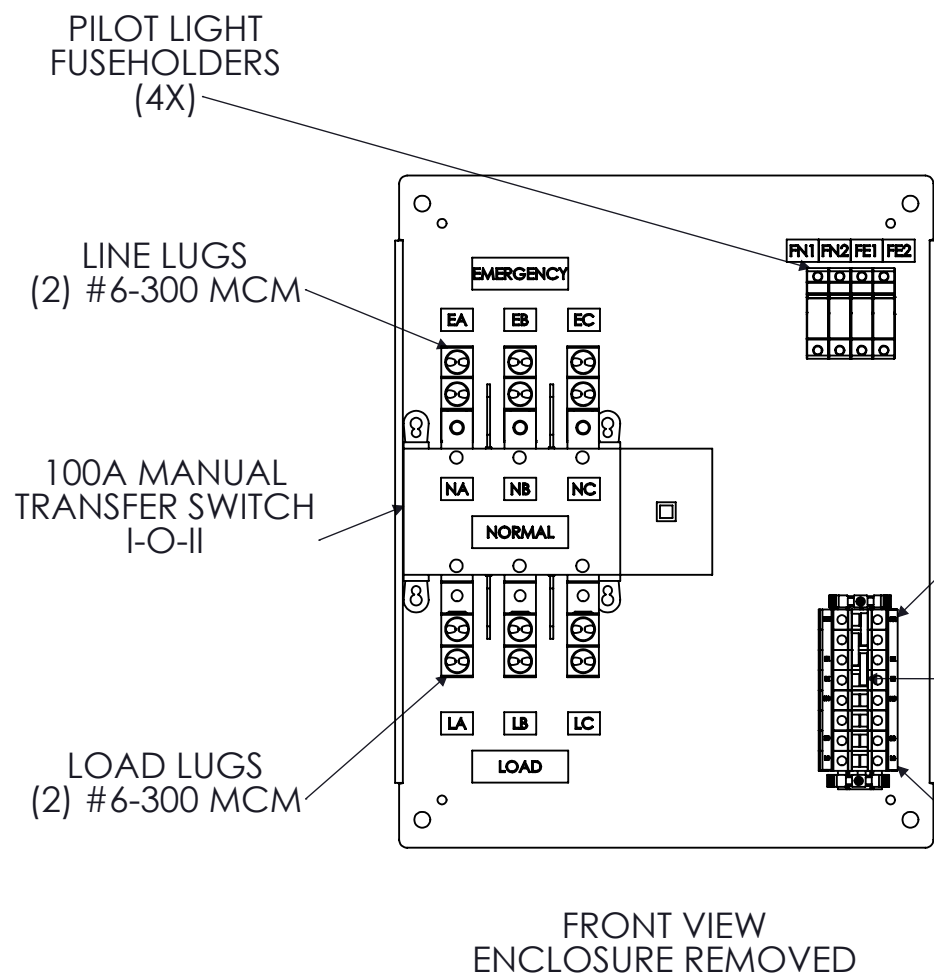
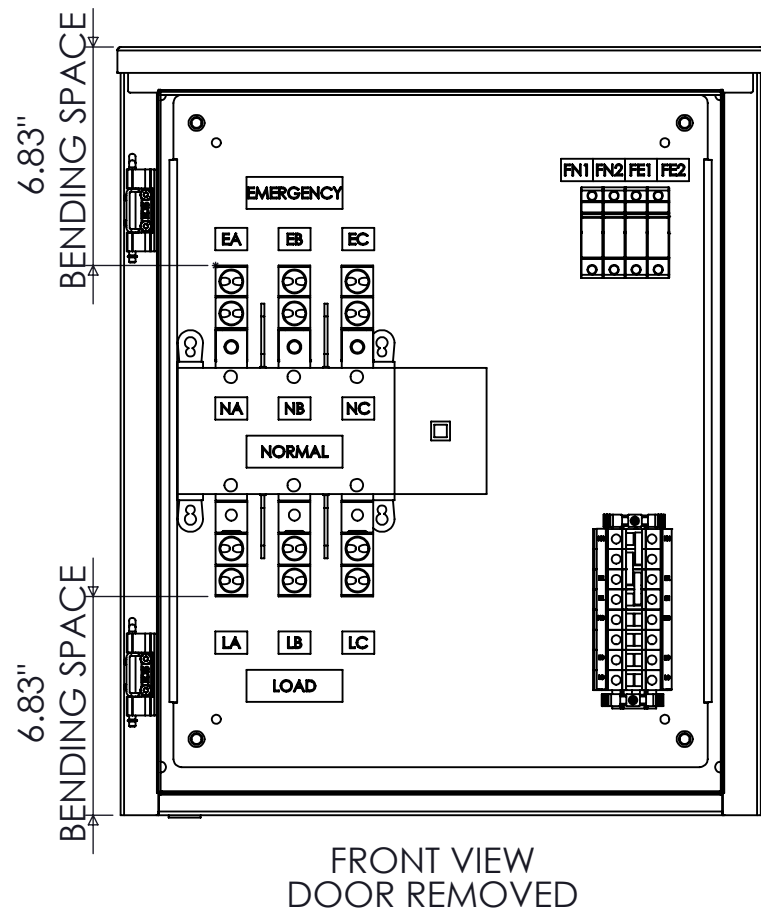
MAX VOLTAGE - 600VAC 3 $\phi$   
 RATED CURRENT - 100 A  
 STANDARDS - UL508A  
 ENCLOSURE RATING - NEMA 3R  
 REF. ES100145NF  
 DURABILITY - 6050 CYCLES  
 EST SHIPPING WEIGHT - 130LBS



100A NON-FUSIBLE 3-POLE NEMA 3R MANUAL TRANSFER SWITCH			
REV	DESCRIPTION	DATE	DRAWN S.RICHARDSON
0	ORIGINAL RELEASE	12/7/13	CHECKED
			SUP. NO
			SUP. BY NO
			PANEL NO
			BUIL. NO
			GROUP NO
			ORDER NO


 9900 TWIN LAKES PARKWAY  
 CHARLOTTE, NC 28269  
 704-596-5617  
 PSICONTROLSOLUTIONS.COM

DRAWING TYPE  
**DIMENSIONAL**  
 DRAWING NUMBER  
**STS100N3RNF3**




100A NON-FUSIBLE 3-POLE NEMA 3R MANUAL TRANSFER SWITCH

REV	DESCRIPTION	DATE	DRAWN	S.RICHARDSON	CHECKED
0	ORIGINAL RELEASE	12/7/13			
				SUP. NO	
				SUP. BY NO	
				PANEL NO	
				BUL. NO	
				GROUP NO	
				ORDER NO	

DRAWING TYPE  
**OUTLINE**

DRAWING NUMBER  
**STS100N3RNF3**



9900 TWIN LAKES PARKWAY  
CHARLOTTE, NC 28269  
704-596-5617  
PSICONTROLSOLUTIONS.COM