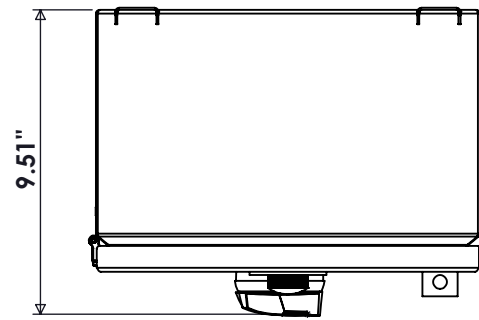
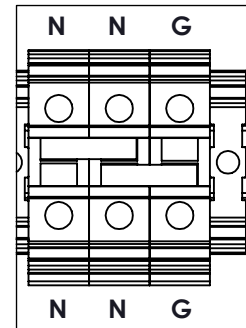


**SPECIFICATIONS**

MAX VOLTAGE - 600VAC 3Φ  
 RATED CURRENT - 30A  
 STANDARDS - UL508A  
 ENCLOSURE RATING - NEMA 4X  
 TYPE 316 STAINLESS STEEL  
 REF ES11NFD3  
 ENDURANCE - 10,000 CYCLES  
 EST. SHIPPING WEIGHT - 50LBS



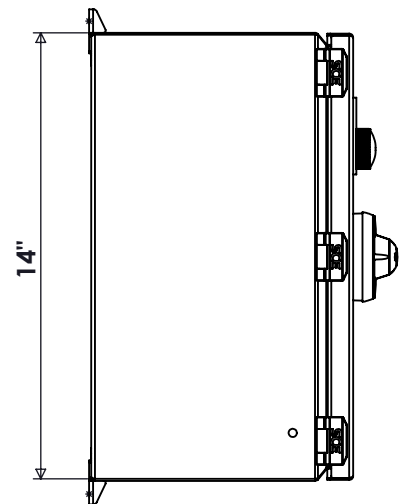
TOP VIEW



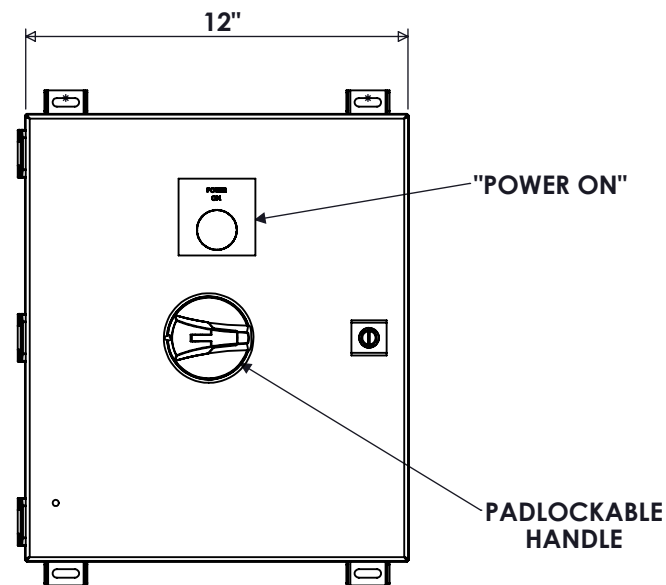
DETAIL A  
 SCALE 1 : 2

**CONNECTIONS**

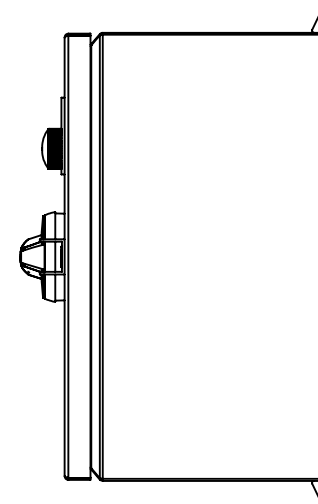
L1/L2/L3 - #14-4 AWG  
 T1/T2/T3 - #14-4 AWG  
 N/G - #14-1/0 AWG



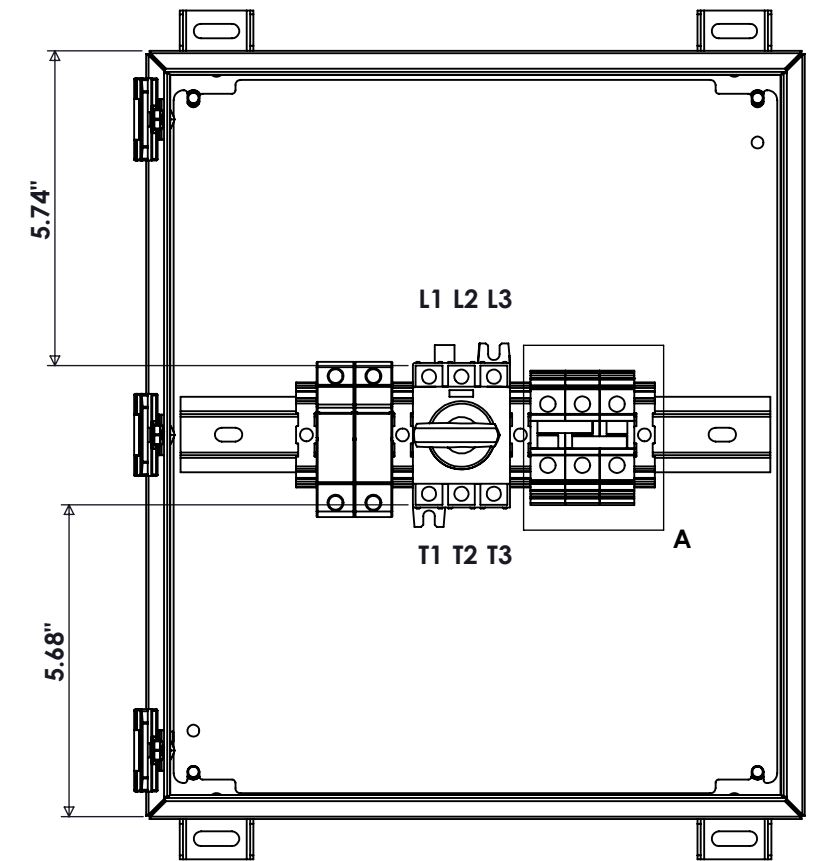
SIDE VIEW



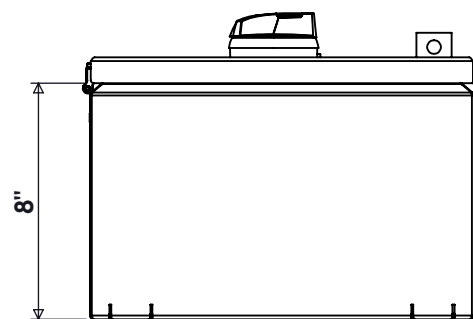
FRONT VIEW



SIDE VIEW



FRONT VIEW  
 DOOR REMOVED



BOTTOM VIEW

**NOTES**

1: NEUTRAL KIT ONLY PRESENT IF PURCHASED

 9900 TWIN LAKES PARKWAY  
 CHARLOTTE, NC 28269  
 704-596-5617  
 PSICONTROLSOLUTIONS.COM

30A ENCLOSED, NONFUSED DISCONNECT NEMA 4X			
REV	DESCRIPTION	DATE	DRAWN S.RICHARDSON
0	ORIGINAL RELEASE	11/14/16	CHECKED
			SUP. NO
			SUP. BY NO
			PANEL NO
			BUL. NO
			GROUP NO
			ORDER NO
DRAWING TYPE			<b>DIMENSIONAL</b>
DRAWING NUMBER			<b>NFD30N4X</b>