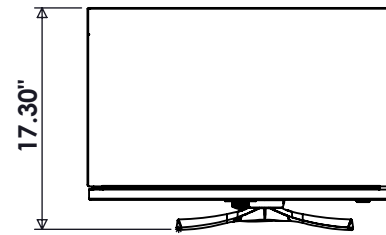
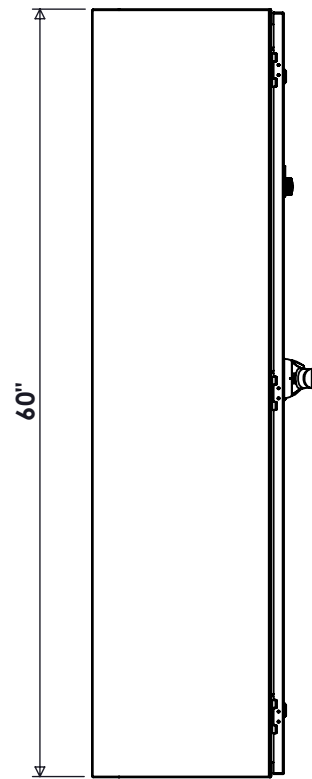


SPECIFICATIONS

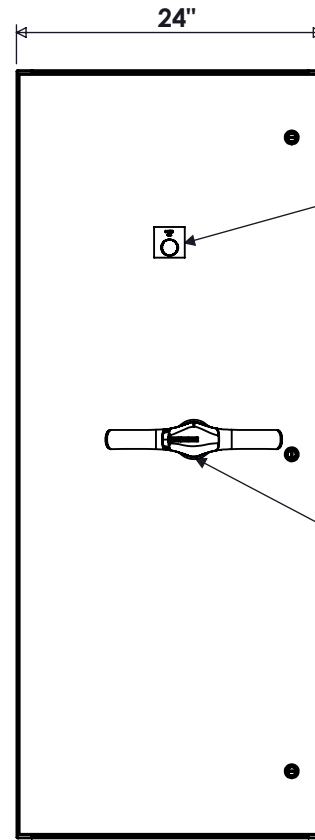
MAX VOLTAGE - 600VAC 3Φ
 RATED CURRENT - 1200A
 STANDARDS - UL508A
 ENCLOSURE RATING - NEMA 4X
 TYPE 316 STAINLESS STEEL
 REF. ES11NFD3
 ENDURANCE - 3500 CYCLES
 EST. SHIPPING WEIGHT - 225LBS



TOP VIEW



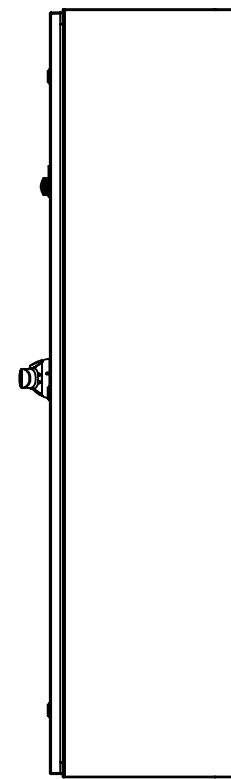
SIDE VIEW



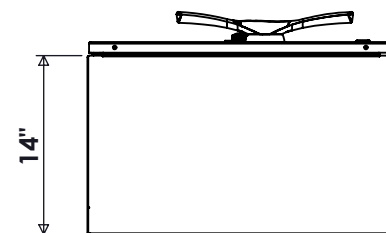
FRONT VIEW

POWER ON

PADLOCKABLE HANDLE



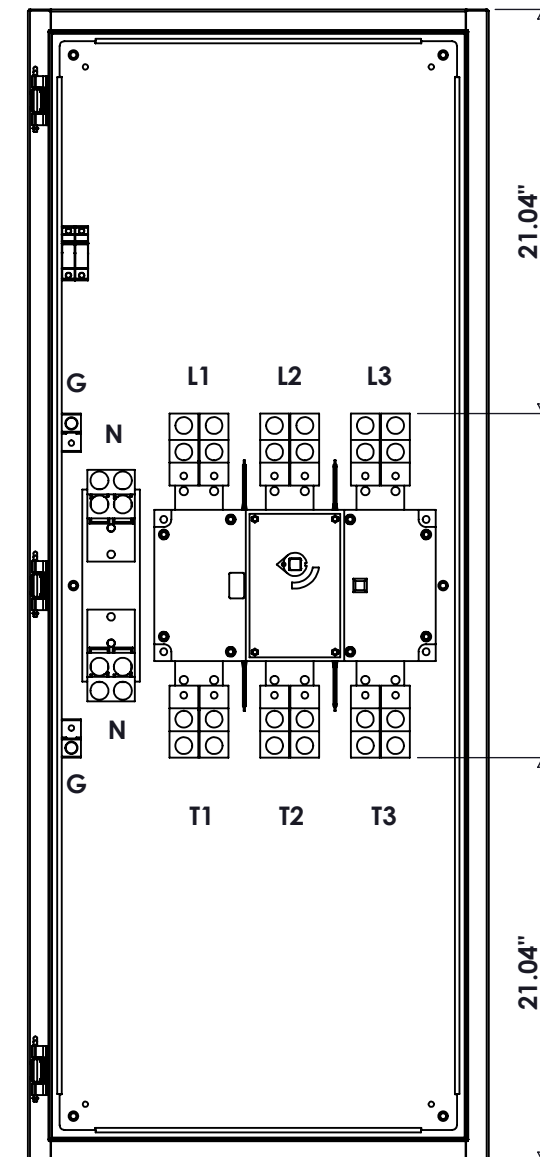
SIDE VIEW



BOTTOM VIEW

CONNECTIONS

L1/L2/L3 - (4) #2-600MCM
 T1/T2/T3 - (4) #2-600MCM
 N - (4) #2-600MCM
 G - (1) #6-350MCM



FRONT VIEW
DOOR REMOVED

NOTES

1: NEUTRAL KIT ONLY PRESENT IF PURCHASED



9900 TWIN LAKES PARKWAY
 CHARLOTTE, NC 28269
 704-596-5617
 PSICONTROLSOLUTIONS.COM

1200A ENCLOSED NON-FUSIBLE DISCONNECT NEMA 4X				
REV	DESCRIPTION	DATE	DRAWN	S.RICHARDSON
0	ORIGINAL RELEASE	11/14/16	CHECKED	
			SUP. NO	DRAWING TYPE
			SUP. BY NO	DIMENSIONAL
			PANEL NO	DRAWING NUMBER
			BUL. NO	NFD1200N4X
			GROUP NO	
			ORDER NO	