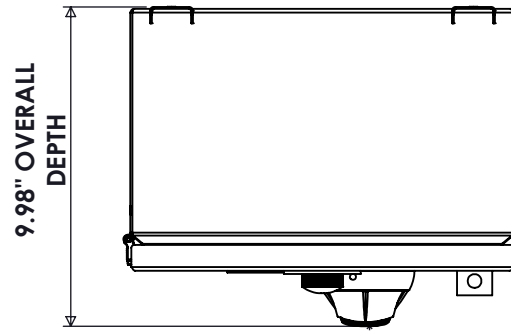
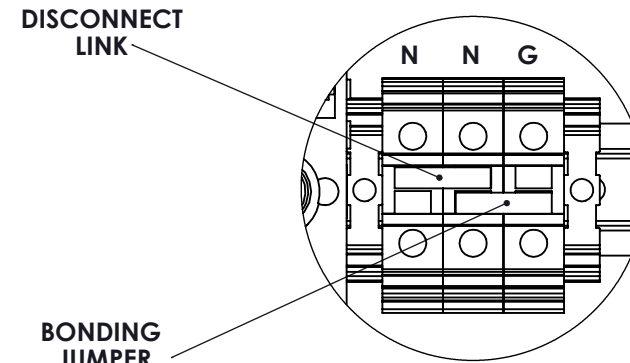


SPECIFICATIONS

MAX VOLTAGE - 600VAC 3 ϕ
 RATED CURRENT - 60 A
 STANDARDS - UL508A
 ENCLOSURE RATING - NEMA 4
 REF. ES11FD3
 FUSE CLASS- "J"
 ENDURANCE - 10,000 CYCLES
 EST SHIPPING WEIGHT - 25LBS



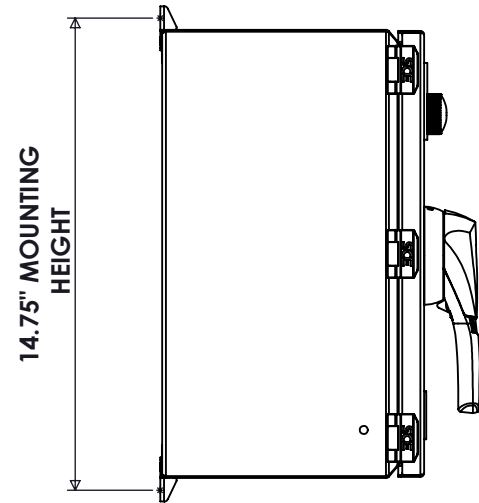
TOP VIEW



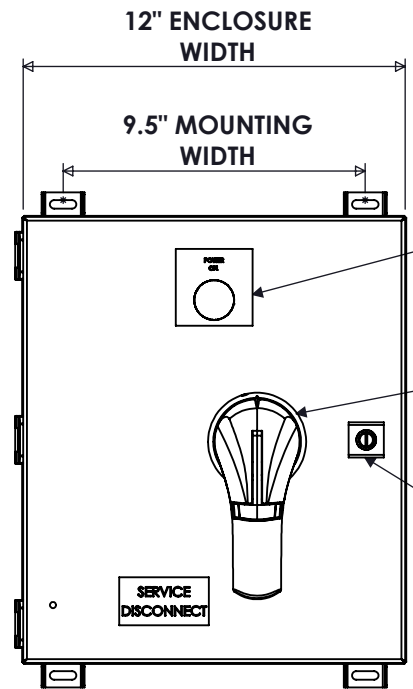
DETAIL A
 OPTIONAL NEUTRAL KIT
 W/BONDING JUMPER

CONNECTIONS

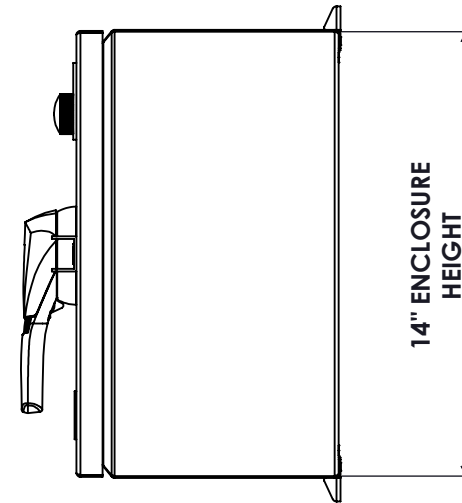
PHASE - #12-1 AWG
 NEUTRAL - #14-1/0 AWG
 GROUND - #14-1/0 AWG



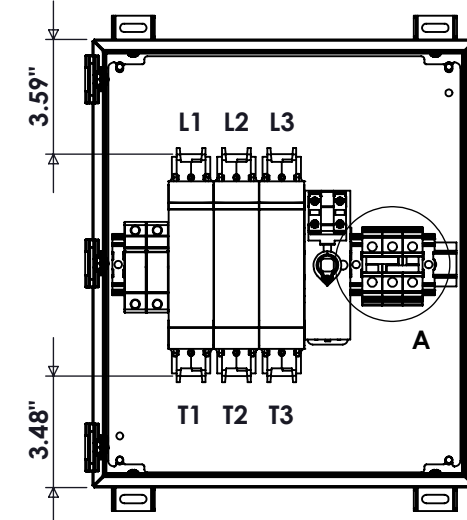
SIDE VIEW



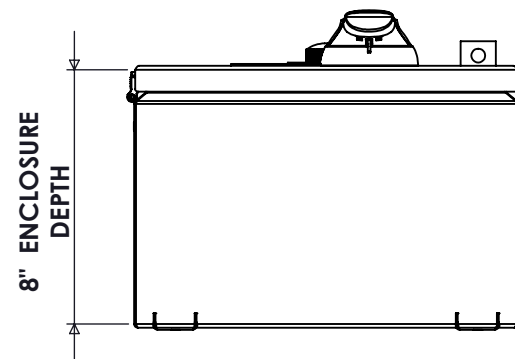
FRONT VIEW



SIDE VIEW



FRONT VIEW
 DOOR REMOVED



BOTTOM VIEW

NOTES

1. NEUTRAL KIT ONLY PRESENT IF PURCHASED
2. PANEL IS RATED SUITABLE FOR USE AS SERVICE EQUIPMENT WITH NEUTRAL KIT

 9900 TWIN LAKES PARKWAY
 CHARLOTTE, NC 28269
 704-596-5617
 PSICONTROLSOLUTIONS.COM

60A ENCLOSED FUSIBLE DISCONNECT NEMA 4			
REV	DESCRIPTION	DATE	DRAWN S.RICHARDSON
0	ORIGINAL RELEASE	5/14/14	CHECKED
			SUP. NO
			SUP. BY NO
			PANEL NO
			BUIL. NO
			GROUP NO
			ORDER NO

DRAWING TYPE	DIMENSIONAL
DRAWING NUMBER	FD60JN4