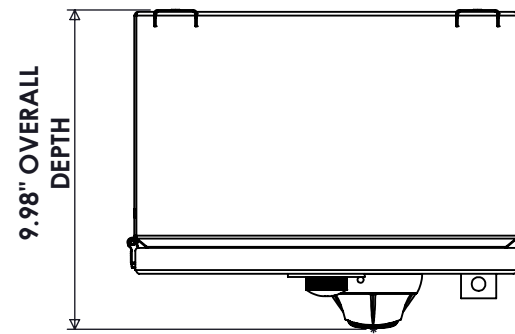


**SPECIFICATIONS**

MAX VOLTAGE - 600VAC 3 $\phi$   
 RATED CURRENT - 30 A  
 STANDARDS - UL508A  
 ENCLOSURE RATING - NEMA 4X  
 TYPE 316 STAINLESS STEEL  
 REF. ES11FD3  
 FUSE CLASS- "J"  
 ENDURANCE - 10,000 CYCLES  
 EST SHIPPING WEIGHT - 25LBS

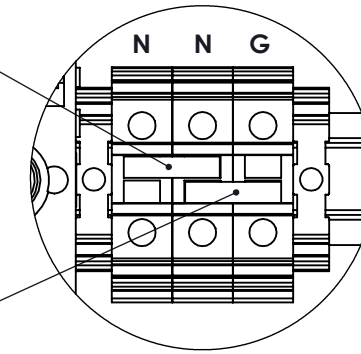


9.98" OVERALL DEPTH

TOP VIEW

DISCONNECT LINK

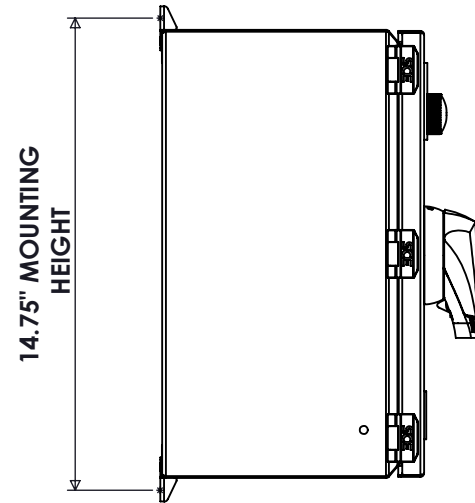
BONDING JUMPER



DETAIL A  
 OPTIONAL NEUTRAL KIT  
 W/BONDING JUMPER

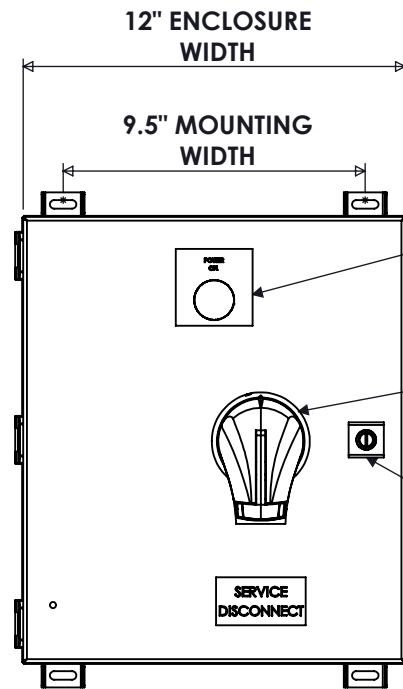
**CONNECTIONS**

PHASE - #14-6 AWG  
 NEUTRAL - #14-1/0 AWG  
 GROUND - #14-1/0 AWG



14.75" MOUNTING HEIGHT

SIDE VIEW



12" ENCLOSURE WIDTH

9.5" MOUNTING WIDTH

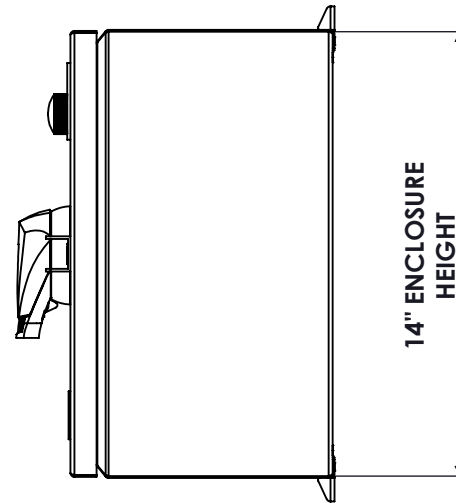
"POWER ON"

PADLOCKABLE HANDLE

PADLOCKABLE DOOR LATCH

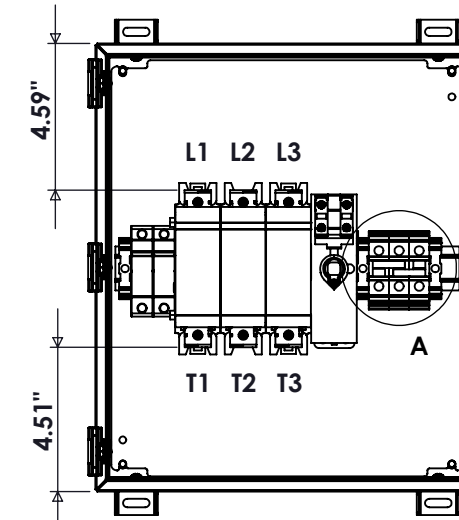
SERVICE DISCONNECT

FRONT VIEW



14" ENCLOSURE HEIGHT

SIDE VIEW



4.59"

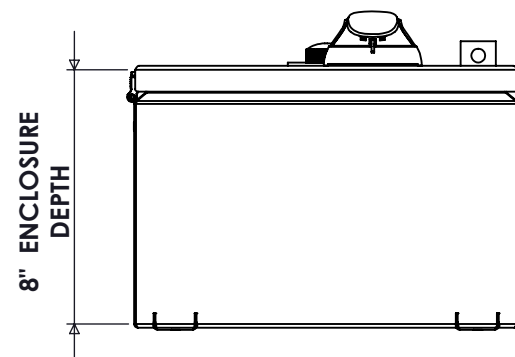
4.51"

L1 L2 L3

T1 T2 T3

A

FRONT VIEW  
 DOOR REMOVED



8" ENCLOSURE DEPTH

BOTTOM VIEW

**NOTES**

1. NEUTRAL KIT ONLY PRESENT IF PURCHASED
2. PANEL IS RATED SUITABLE FOR USE AS SERVICE EQUIPMENT WITH NEUTRAL KIT

30A ENCLOSED FUSIBLE DISCONNECT NEMA 4X

REV	DESCRIPTION	DATE	DRAWN	S.RICHARDSON	
0	ORIGINAL RELEASE	5/14/14	CHECKED		
			SUP. NO		DRAWING TYPE
			SUP. BY NO		<b>DIMENSIONAL</b>
			PANEL NO		DRAWING NUMBER
			BUIL. NO		<b>FD30JN4X</b>
			GROUP NO		
			ORDER NO		



9900 TWIN LAKES PARKWAY  
 CHARLOTTE, NC 28269  
 704-596-5617  
 PSICONTROLSOLUTIONS.COM