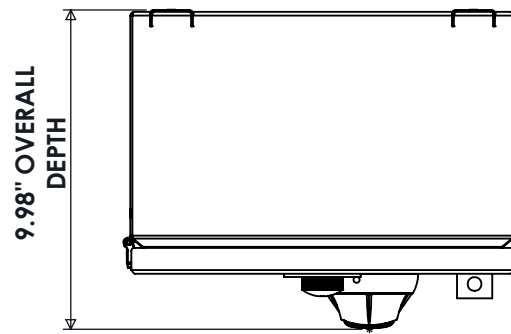


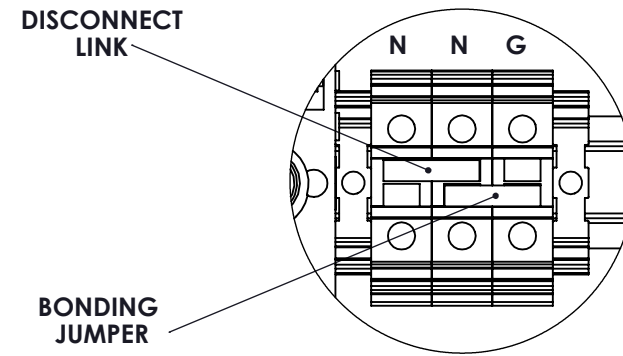
SPECIFICATIONS

MAX VOLTAGE - 600VAC 3 ϕ
 RATED CURRENT - 30 A
 STANDARDS - UL508A
 ENCLOSURE RATING - NEMA 4
 REF. ES11FD3
 FUSE CLASS- "J"
 ENDURANCE - 10,000 CYCLES
 EST SHIPPING WEIGHT - 25LBS



9.98" OVERALL DEPTH

TOP VIEW



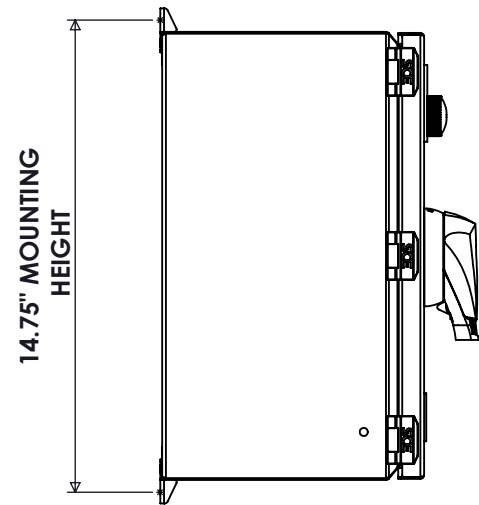
DISCONNECT LINK

BONDING JUMPER

DETAIL A
 OPTIONAL NEUTRAL KIT
 W/BONDING JUMPER

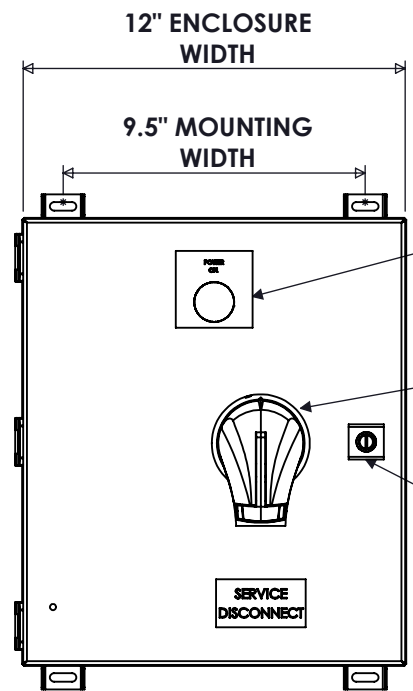
CONNECTIONS

PHASE - #14-6 AWG
 NEUTRAL - #14-1/0 AWG
 GROUND - #14-1/0 AWG



14.75" MOUNTING HEIGHT

SIDE VIEW



12" ENCLOSURE WIDTH

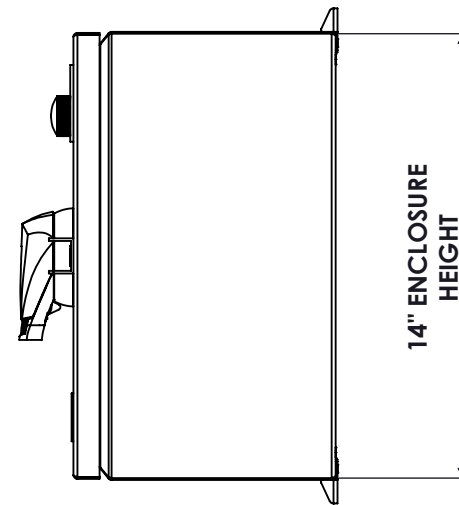
9.5" MOUNTING WIDTH

"POWER ON"

PADLOCKABLE HANDLE

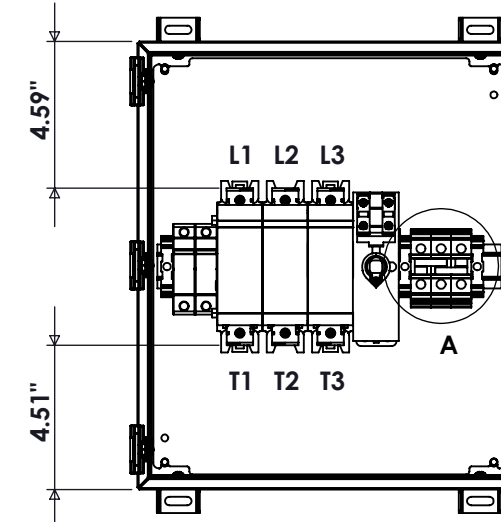
PADLOCKABLE DOOR LATCH

FRONT VIEW



14" ENCLOSURE HEIGHT

SIDE VIEW



4.59"

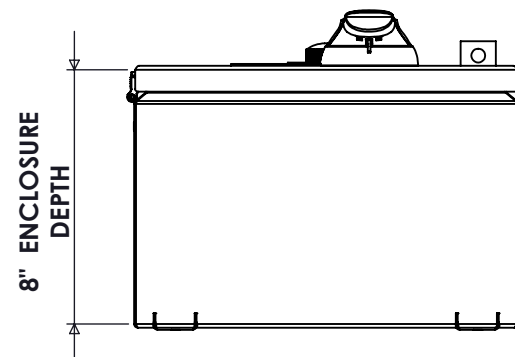
4.51"

L1 L2 L3

T1 T2 T3

A

FRONT VIEW
 DOOR REMOVED



8" ENCLOSURE DEPTH

BOTTOM VIEW

NOTES

1. NEUTRAL KIT ONLY PRESENT IF PURCHASED
2. PANEL IS RATED SUITABLE FOR USE AS SERVICE EQUIPMENT WITH NEUTRAL KIT

30A ENCLOSED FUSIBLE DISCONNECT NEMA 4

REV	DESCRIPTION	DATE	DRAWN	S.RICHARDSON
0	ORIGINAL RELEASE	5/14/14	CHECKED	
			SUP. NO	DRAWING TYPE
			SUP. BY NO	DIMENSIONAL
			PANEL NO	DRAWING NUMBER
			BUL. NO	FD30JN4
			GROUP NO	
			ORDER NO	


9900 TWIN LAKES PARKWAY
CHARLOTTE, NC 28269
704-596-5617
PSICONTROLSOLUTIONS.COM