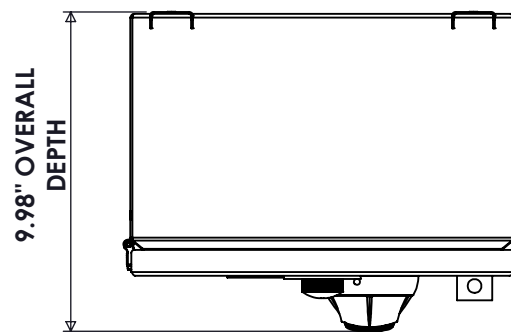


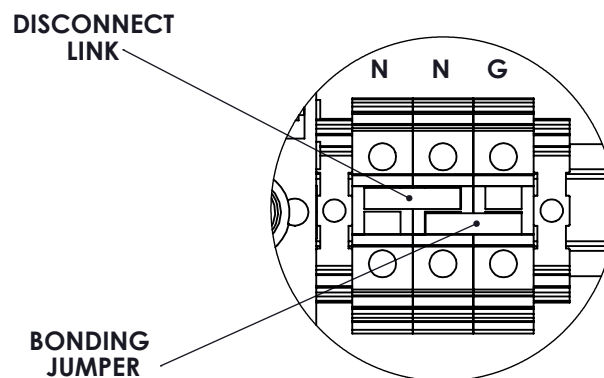
SPECIFICATIONS

MAX VOLTAGE - 600VAC 3 ϕ
 RATED CURRENT - 100 A
 STANDARDS - UL508A
 ENCLOSURE RATING - NEMA 4X
 TYPE 316 STAINLESS STEEL
 REF. ES11FD3
 FUSE CLASS- "J"
 ENDURANCE - 10,000 CYCLES
 EST SHIPPING WEIGHT - 30LBS



9.98" OVERALL DEPTH

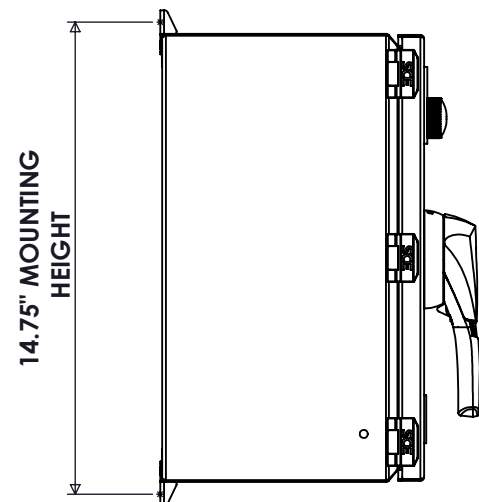
TOP VIEW



DETAIL A
 OPTIONAL NEUTRAL KIT
 W/BONDING JUMPER

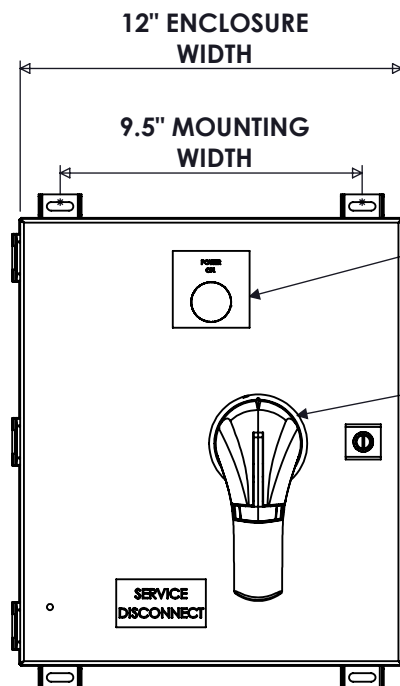
CONNECTIONS

PHASE - #12-1 AWG
 NEUTRAL - #14- 1/0 AWG
 GROUND - #14-1/0 AWG



14.75" MOUNTING HEIGHT

SIDE VIEW



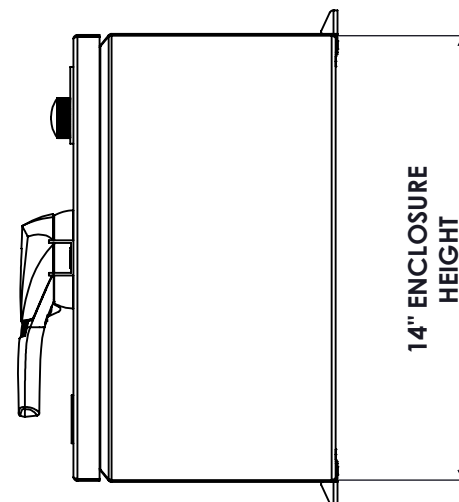
12" ENCLOSURE WIDTH

9.5" MOUNTING WIDTH

"POWER ON"

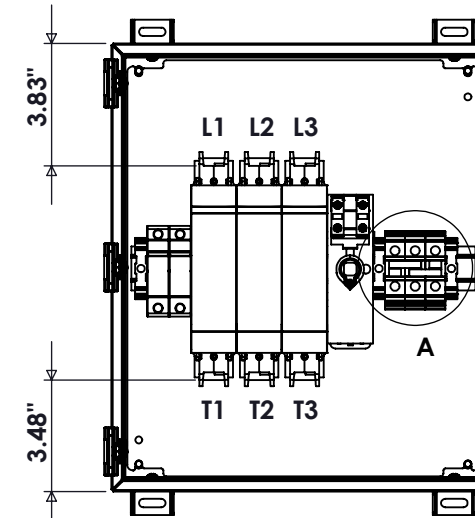
PADLOCKABLE HANDLE

FRONT VIEW



14" ENCLOSURE HEIGHT

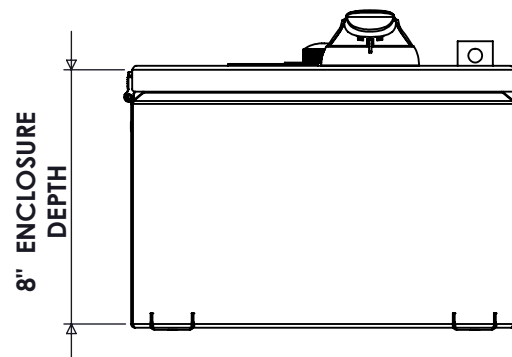
SIDE VIEW



3.83"

3.48"

FRONT VIEW
 DOOR REMOVED



8" ENCLOSURE DEPTH

BOTTOM VIEW

NOTES

1. NEUTRAL KIT ONLY PRESENT IF PURCHASED
2. PANEL IS RATED SUITABLE FOR USE AS SERVICE EQUIPMENT WITH NEUTRAL KIT

 9900 TWIN LAKES PARKWAY
 CHARLOTTE, NC 28269
 704-596-5617
 PSICONTROLSOLUTIONS.COM

| 100A ENCLOSED FUSIBLE DISCONNECT NEMA 4X | | | |
|--|------------------|---------|--------------------|
| REV | DESCRIPTION | DATE | DRAWN S.RICHARDSON |
| 0 | ORIGINAL RELEASE | 5/14/14 | CHECKED |
| | | | SUP. NO |
| | | | SUP. BY NO |
| | | | PANEL NO |
| | | | BUIL. NO |
| | | | GROUP NO |
| | | | ORDER NO |

| | |
|----------------|--------------------|
| DRAWING TYPE | DIMENSIONAL |
| DRAWING NUMBER | FD100JN4X |