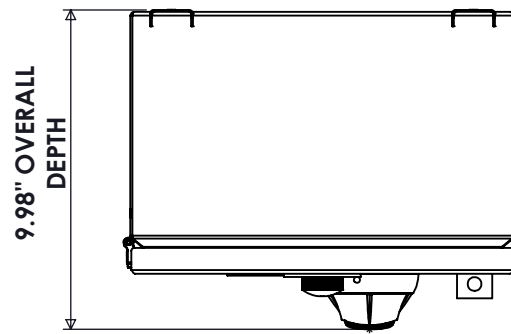


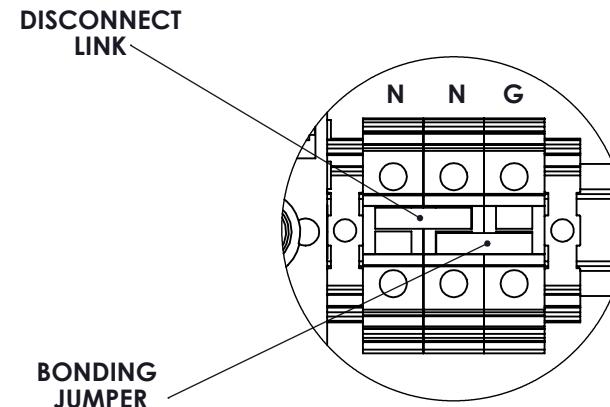
**SPECIFICATIONS**

MAX VOLTAGE - 600VAC 3 $\phi$   
 RATED CURRENT - 100 A  
 STANDARDS - UL508A  
 ENCLOSURE RATING - NEMA 4  
 REF. ES11FD3  
 FUSE CLASS- "J"  
 ENDURANCE - 10,000 CYCLES  
 EST SHIPPING WEIGHT - 30LBS



9.98" OVERALL DEPTH

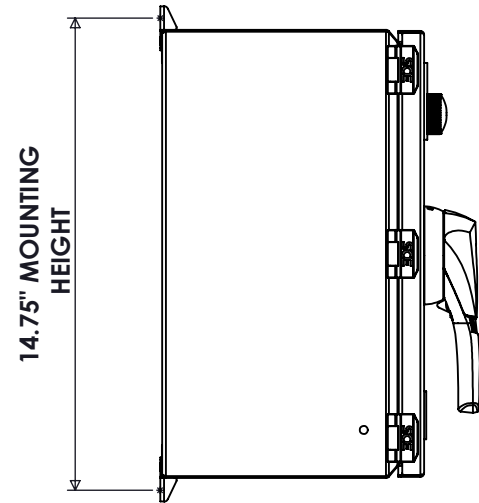
TOP VIEW



DETAIL A  
 OPTIONAL NEUTRAL KIT  
 W/BONDING JUMPER

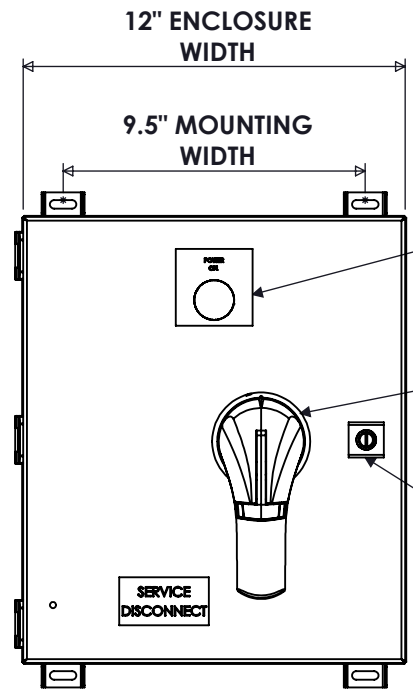
**CONNECTIONS**

PHASE - #12-1 AWG  
 NEUTRAL - #14- 1/0 AWG  
 GROUND - #14-1/0 AWG

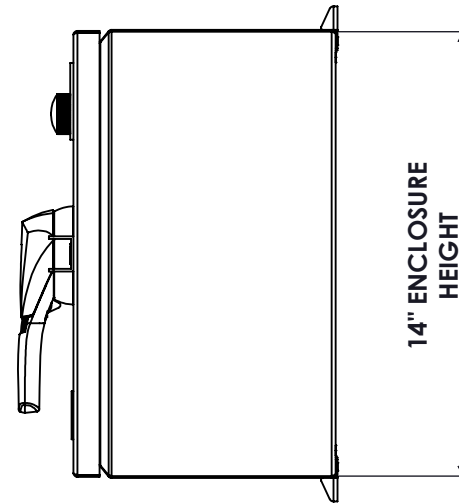


14.75" MOUNTING HEIGHT

SIDE VIEW

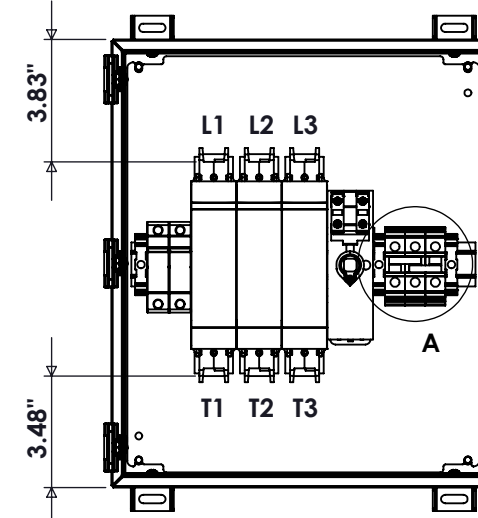


FRONT VIEW

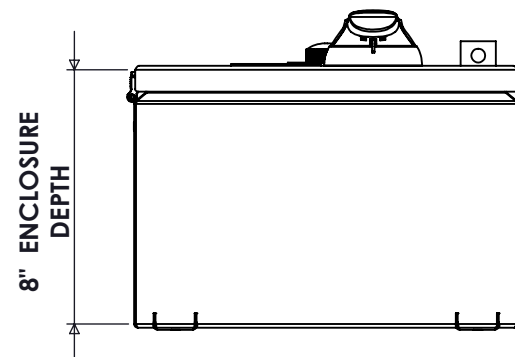


14" ENCLOSURE HEIGHT

SIDE VIEW



FRONT VIEW  
 DOOR REMOVED



8" ENCLOSURE DEPTH

BOTTOM VIEW

**NOTES**

1. NEUTRAL KIT ONLY PRESENT IF PURCHASED
2. PANEL IS RATED SUITABLE FOR USE AS SERVICE EQUIPMENT WITH NEUTRAL KIT

 9900 TWIN LAKES PARKWAY  
 CHARLOTTE, NC 28269  
 704-596-5617  
 PSICONTROLSOLUTIONS.COM

100A ENCLOSED FUSIBLE DISCONNECT NEMA 4			
REV	DESCRIPTION	DATE	DRAWN S.RICHARDSON
0	ORIGINAL RELEASE	5/14/14	CHECKED
			SUP. NO
			SUP. BY NO
			PANEL NO
			BUIL. NO
			GROUP NO
			ORDER NO
DRAWING TYPE			<b>DIMENSIONAL</b>
DRAWING NUMBER			<b>FD100JN4</b>