

A

B

C

D

E

1

2

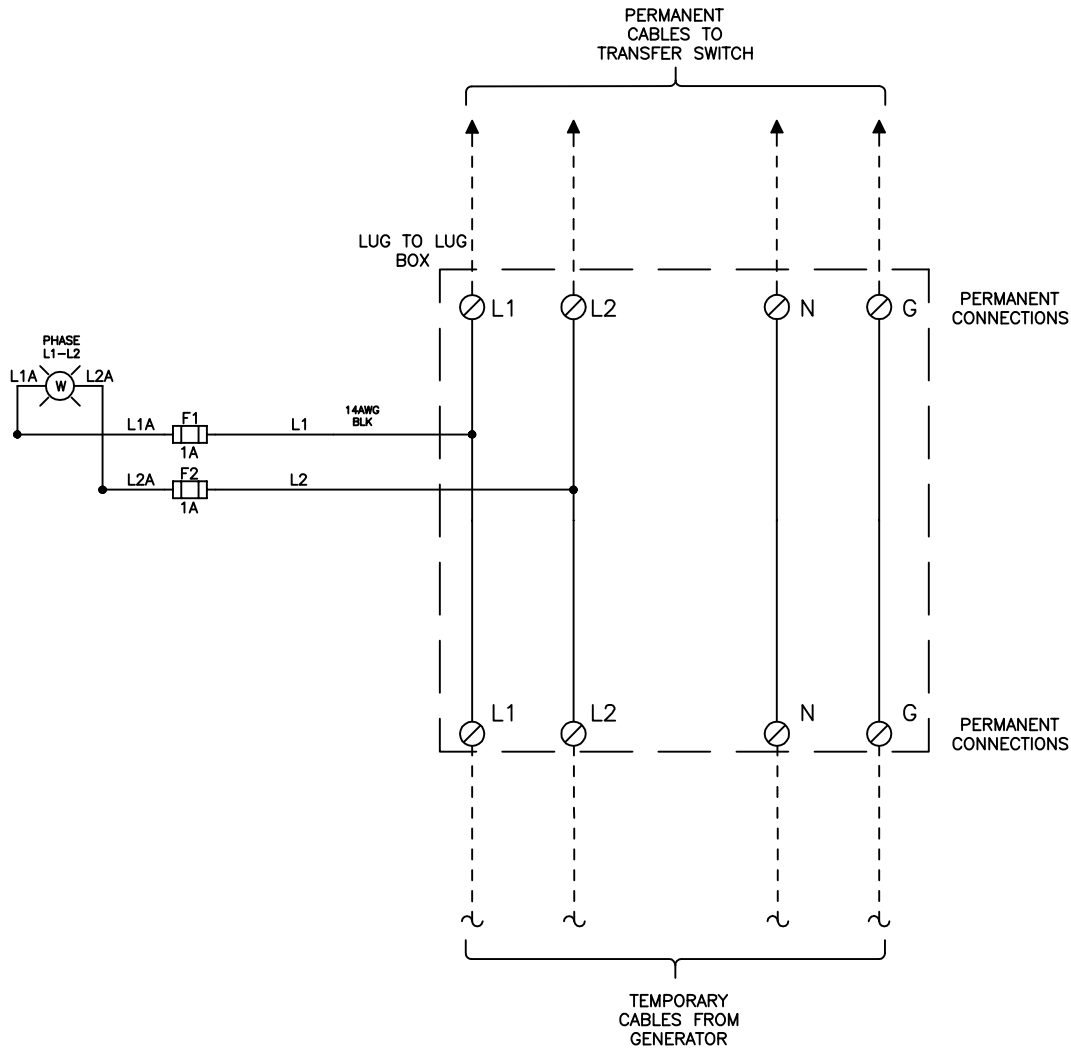
3

4

5

6

7



LUG TO LUG BOX

REV	DESCRIPTION	DATE	DRAWN S.RICHARDSON	ENGR. APP.
A	ORIGINAL RELEASE	4/20/16	CHECKED J.RAY	SUPR. APP.
B			SUP. NO.	
C			SUP. BY NO.	
D			PANEL NO.	
E			BUL. NO.	
F			GROUP NO.	
G			ORDER NO.	

ES11L2L3

COMPUTER GENERATED TRACING



PSI CONTROL SOLUTIONS

9900 TWIN LAKES PARKWAY
 CHARLOTTE, NC 28269
 704-596-5617
 PSICONTROLSOLUTIONS.COM