

A B C D E

1

1

2

2

3

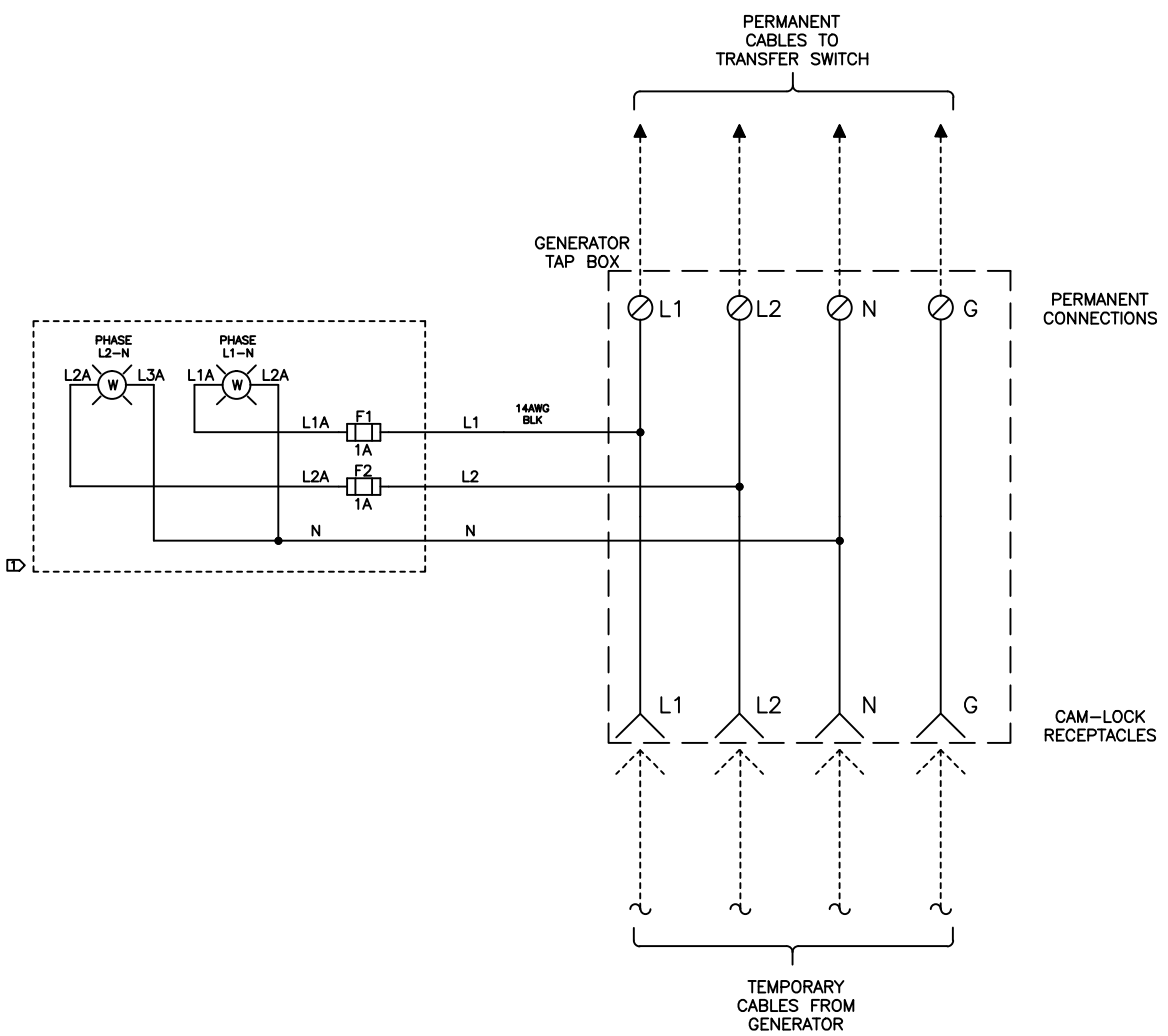
3

4

4

5

5




NOTES  
 [D] ADDITIONAL OPTION FOR UL CERTIFICATION

AMP.	CAM-LOCK
	QTY
400	1
800	2
1200	3
1600	4
2000	5
2400	6
2800	7
3200	8
4000	10

GENERATOR TAP BOX

REV	DESCRIPTION	DATE	DRAWN S.RICHARDSON	ENGR. APP.
A	ORIGINAL RELEASE	10/2/14	CHECKED J.RAY	SUPR. APP.
B			SUP. NO.	
C			SUP. BY NO.	
D			PANEL NO.	
E			BUL. NO.	
F			GROUP NO.	
G			ORDER NO.	



9900 TWIN LAKES PARKWAY  
 CHARLOTTE, NC 28269  
 704-596-5617  
 PSICONTROLSOLUTIONS.COM

ES11GTB3

A B C D E

7

7