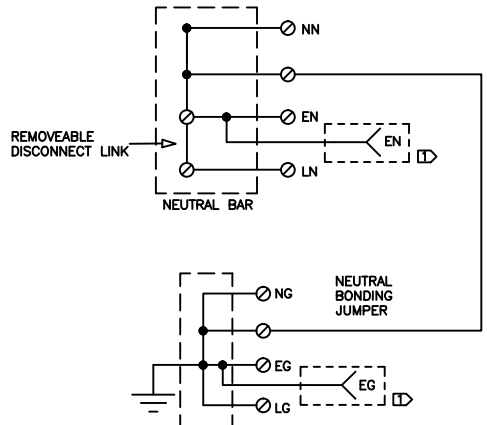
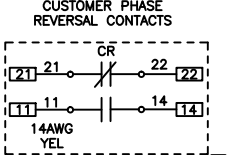



FUSE SIZING
FU1

VAC	A
208/240	0.6A
480	0.3A



AMPS	BONDING JUMPER	
	MIN. SIZE	LA, LB, LC, N MIN. WIRE SIZE
60	8 AWG	6 AWG
100	6 AWG	2 AWG
200	4 AWG	3/0 AWG
400	1/0 AWG	4/0 DLO
600	2/0 AWG	(2) 3/0 DLO
800	2/0 AWG	3"x1/2" BUSBAR
1200	3/0 DLO	3"x1/2" BUSBAR
1600	3/0 DLO	3"x1/2" BUSBAR
2000	313 DLO	4"x1/2" BUSBAR
2500	313 DLO	4"x1/2" BUSBAR
3000	313 DLO	(2) 3"x1/2" BUSBAR

- NOTES
- Ⓛ EMERGENCY CAM-LOCK CONNECTION OPTION
 - Ⓜ PHASE REVERSAL PROTECTION OPTION
 - Ⓝ AUX CONTACTS RATED 10A, 250VAC MAX

 9900 TWIN LAKES PARKWAY
CHARLOTTE, NC 28269
704-596-5617
PSICONTROLSOLUTIONS.COM

SE-RATED 4-POLE MANUAL TRANSFER SWITCH 60-800A

REV	DESCRIPTION	DATE	DRAWN	S. RICHARDSON	CHECKED
0	ORIGINAL RELEASE	8/26/15			
1			SUP. NO.		DRAWING TYPE
2			SUP. BY NO.		ELECTRICAL SCHEMATIC
3			PANEL NO.		DRAWING NO.
4			BUL. NO.		ES100145SE4A
5			GROUP NO.		
6			ORDER NO.		

SHEET 1 OF 1

COMPUTER GENERATED TRACING