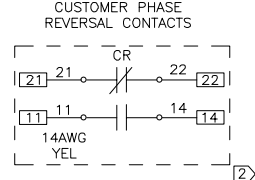
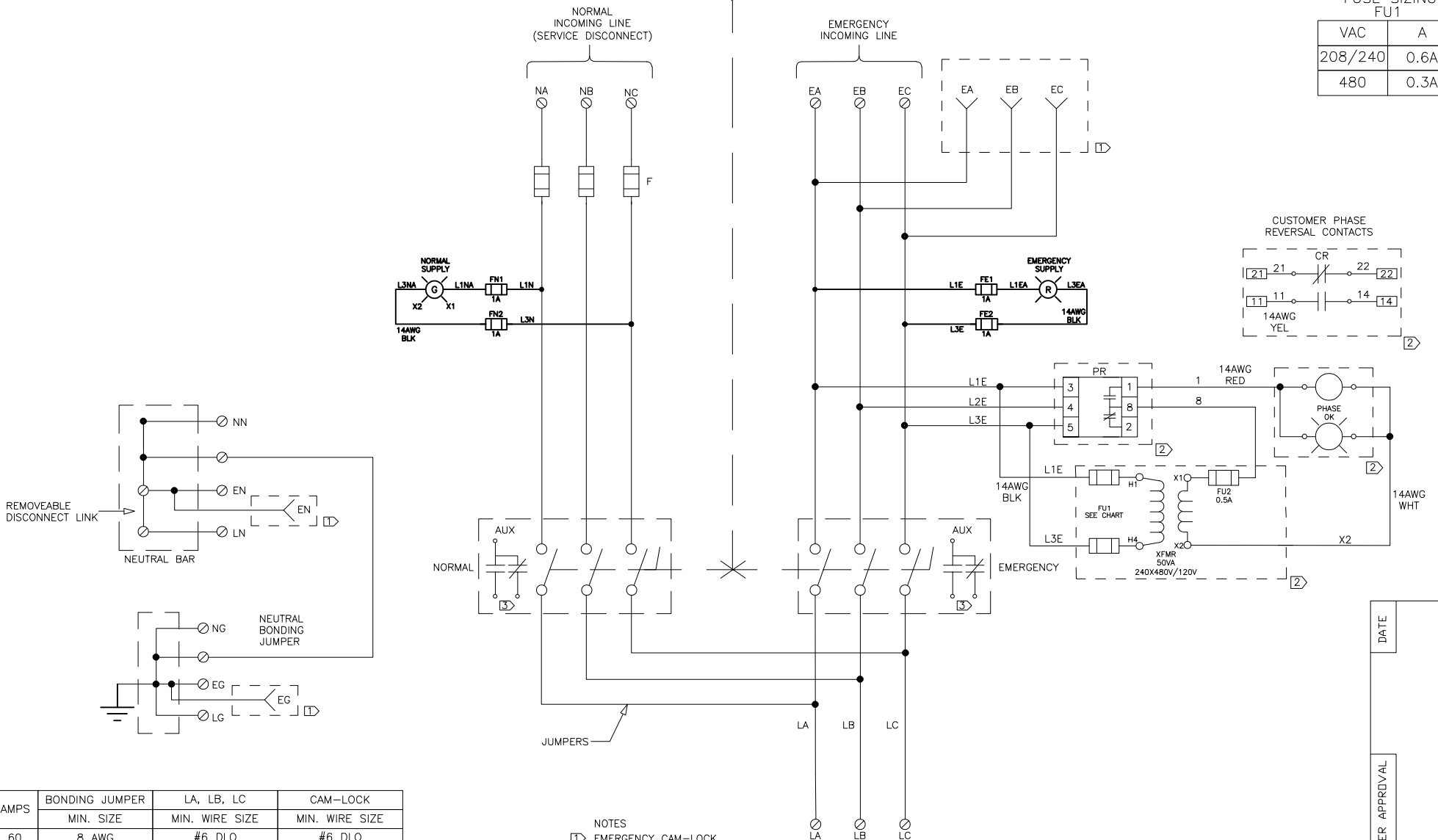


OFF
NORMAL EMERGENCY

FUSE SIZING
FU1

VAC	A
208/240	0.6A
480	0.3A



- NOTES
- ① EMERGENCY CAM-LOCK CONNECTION OPTION
 - ② PHASE REVERSAL PROTECTION OPTION
 - ③ AUX CONTACTS RATED 10A, 250VAC MAX

AMPS	BONDING JUMPER	LA, LB, LC	CAM-LOCK
	MIN. SIZE	MIN. WIRE SIZE	MIN. WIRE SIZE
60	8 AWG	#6 DLO	#6 DLO
100	6 AWG	#2 DLO	#2 DLO
200	4 AWG	3/0 AWG	3/0 AWG
400	1/0 AWG	313 DLO	313 DLO
600	2/0 AWG	(2) 313 DLO	(2) 313 DLO
800	2/0 AWG	3"X1/2" BUSBAR	(2) 313 DLO
1200	3/0 DLO	3"X1/2" BUSBAR	(3) 313 DLO
1600	3/0 DLO	3"X1/2" BUSBAR	(4) 4/0 DLO
2000	313 DLO	4"X1/2" BUSBAR	(5) 4/0 DLO
2500	313 DLO	4"X1/2" BUSBAR	(7) 4/0 DLO
3000	313 DLO	(2) 3"X1/2" BUSBAR	(8) 4/0 DLO

DATE

CUSTOMER APPROVAL

SE RATED MANUAL TRANSFER SWITCH 60-800A

REV	DESCRIPTION	DATE	DRAWN	C. JUNG
0	ORIGINAL RELEASE	6/9/15	CHECKED	
1	LIGHTS ADDED	09/03/21	SUP. NO.	
2	UPDATED TABLE	10/28/21	SUP. BY NO.	
3			PANEL NO.	
4			BUL. NO.	
5			GROUP NO.	
6			ORDER NO.	

DRAWING TYPE
ELECTRICAL SCHEMATIC

DRAWING NO.
ES100145SE3A

SHEET 1 OF 1

COMPUTER GENERATED TRACING

9900 TWIN LAKES PARKWAY
CHARLOTTE, NC 28269
704-596-5617
PSICONTROLSOLUTIONS.COM