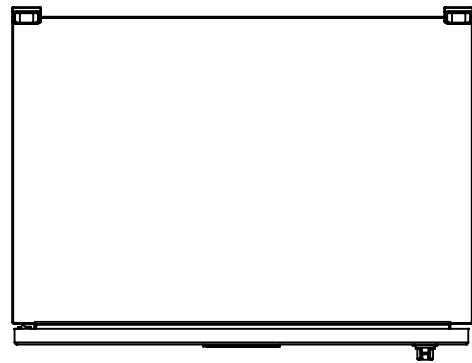
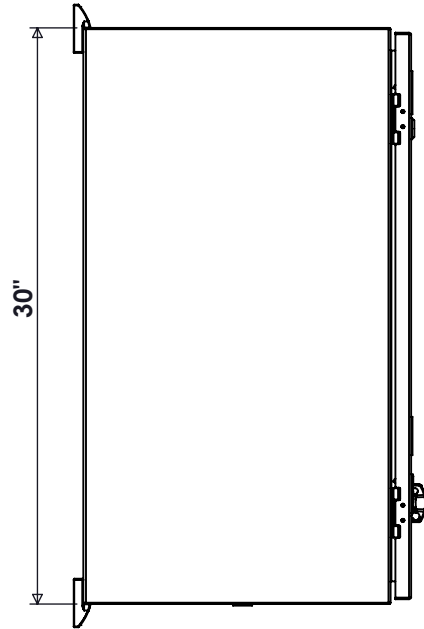


SPECIFICATIONS

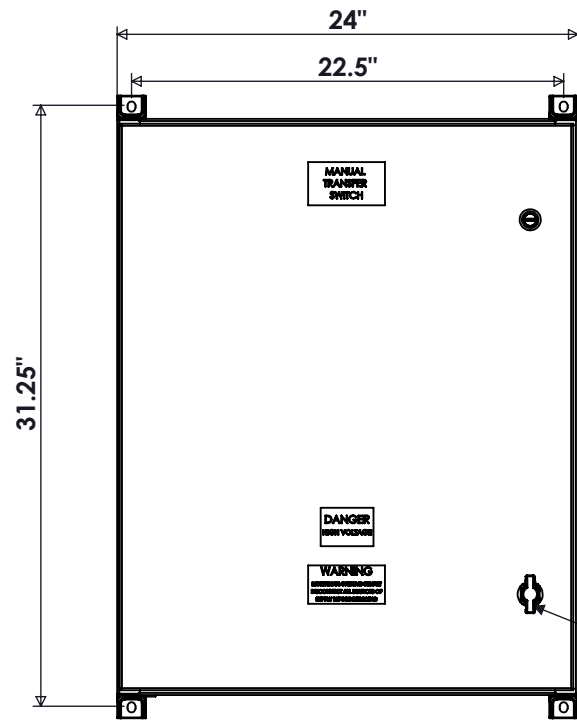
MAX VOLTAGE - 600VAC 3Φ
 CURRENT RANGE - 100-225A
 STANDARDS - UL508A
 SUITABLE FOR USE AS SERVICE EQUIPMENT
 ENCLOSURE RATING - NEMA 4X
 TYPE 316 STAINLESS STEEL
 REF ES11BTS3A
 EST SHIPPING WEIGHT - 150 LBS



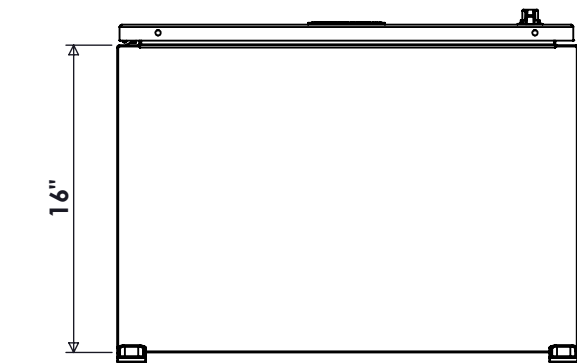
TOP VIEW



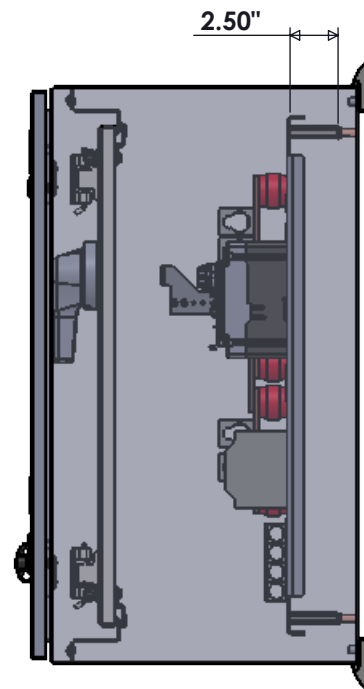
SIDE VIEW



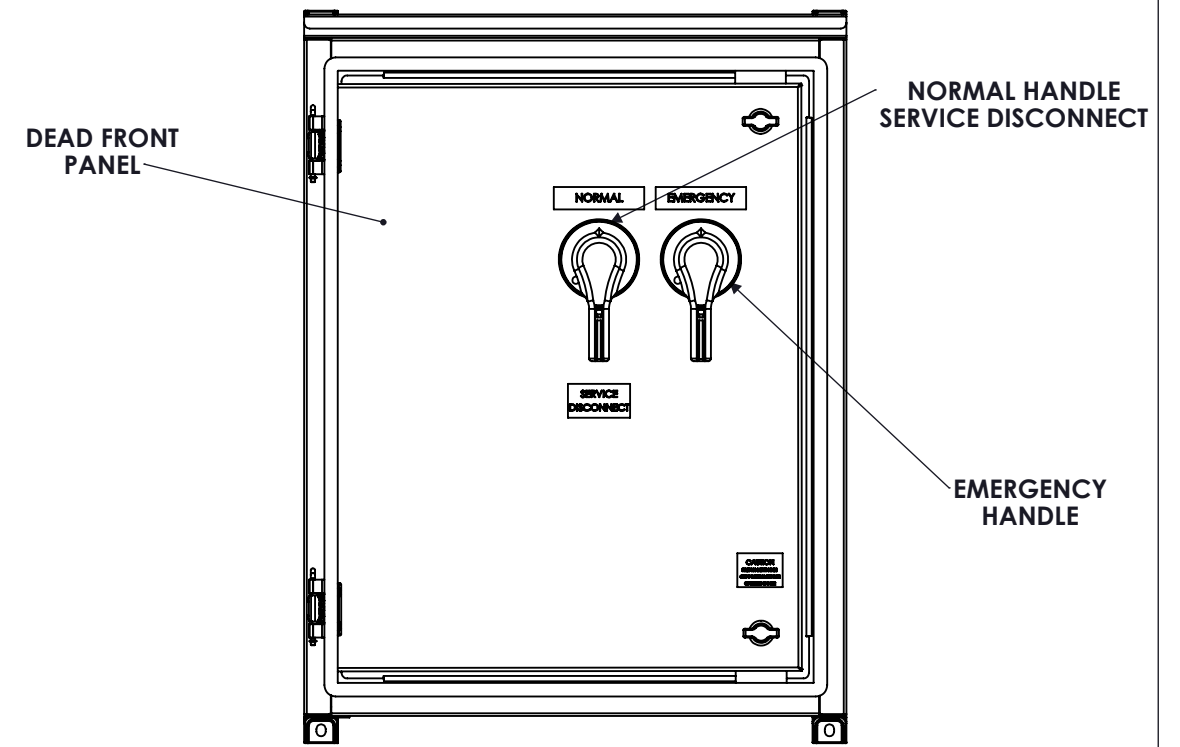
FRONT VIEW



BOTTOM VIEW



SIDE VIEW



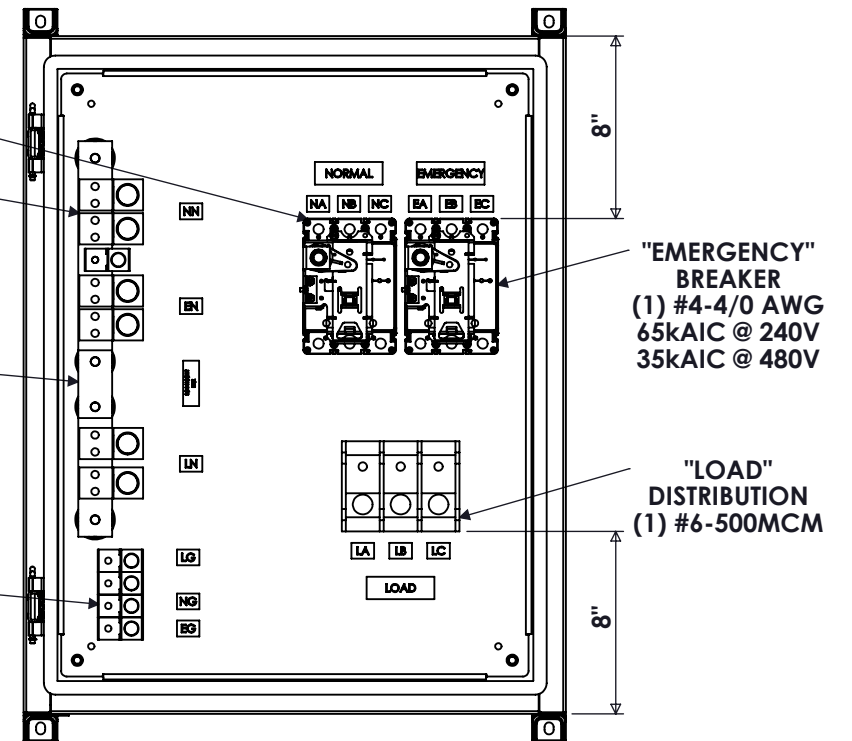
FRONT VIEW
DOOR REMOVED

"NORMAL" BREAKER
 (SERVICE ENTRANCE)
 (1) #4-4/0 AWG
 65kAIC @ 240V
 35kAIC @ 480V

NEUTRAL LUGS
 (2) #2-750MCM

NEUTRAL
DISCONNECT

GROUND LUGS
 (1) #6-350MCM



FRONT VIEW
DOOR/DEADFRONT REMOVED

"EMERGENCY" BREAKER
 (1) #4-4/0 AWG
 65kAIC @ 240V
 35kAIC @ 480V

"LOAD" DISTRIBUTION
 (1) #6-500MCM

NOTE: BREAKERS ARE MECHANICALLY INTERLOCKED BY A WALKING BEAM MECHANISM. ONLY ONE CAN BE ENERGIZED AT A TIME



9900 TWIN LAKES PARKWAY
 CHARLOTTE, NC 28269
 704-596-5617
 PSICONTROLSOLUTIONS.COM

100-225A BREAKER-BREAKER TRANSFER SWITCH

REV	DESCRIPTION	DATE	DRAWN	S.RICHARDSON
0	ORIGINAL RELEASE	2/8/17	CHECKED	
			SUP. NO	
			SUP. BY NO	
			PANEL NO	
			BUIL. NO	
			GROUP NO	
			ORDER NO	

DRAWING TYPE
DIMENSIONAL

DRAWING NUMBER
BTS225N4XDSE3A