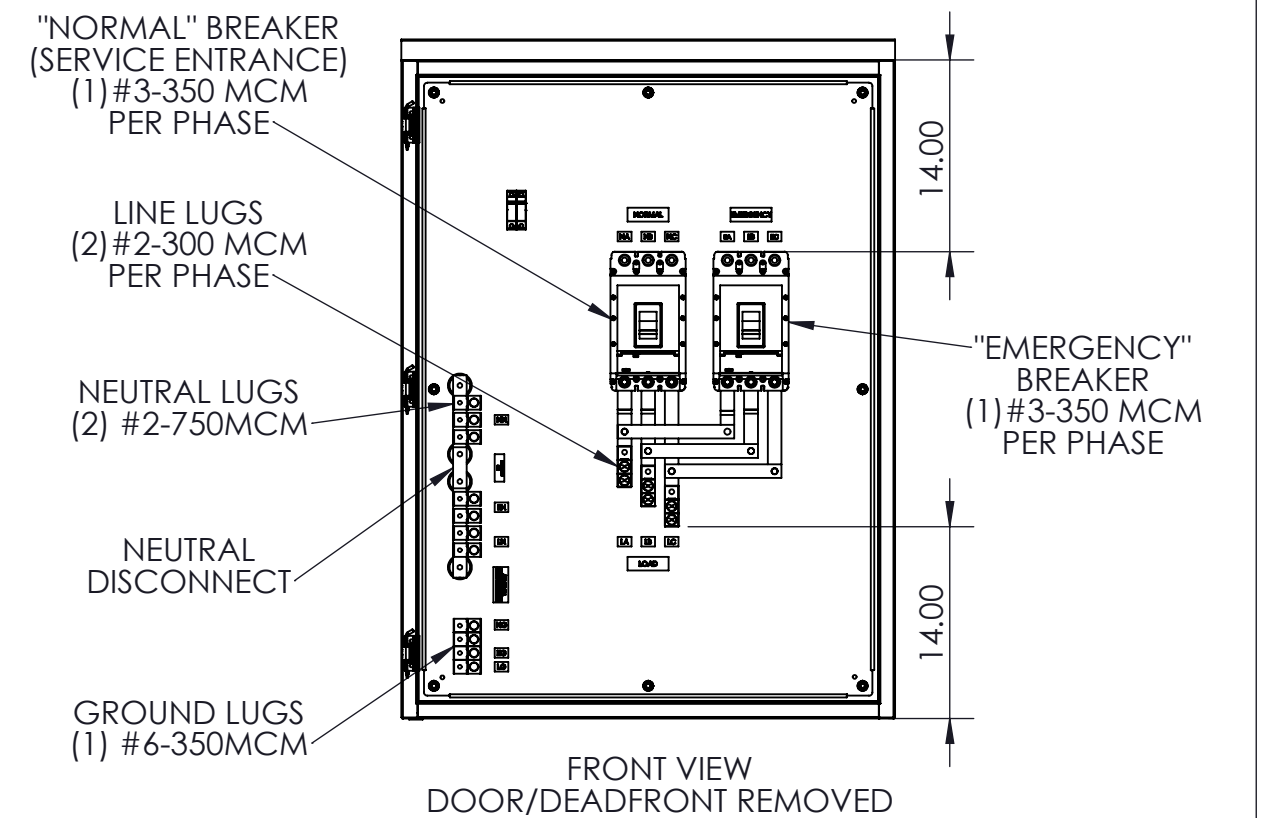
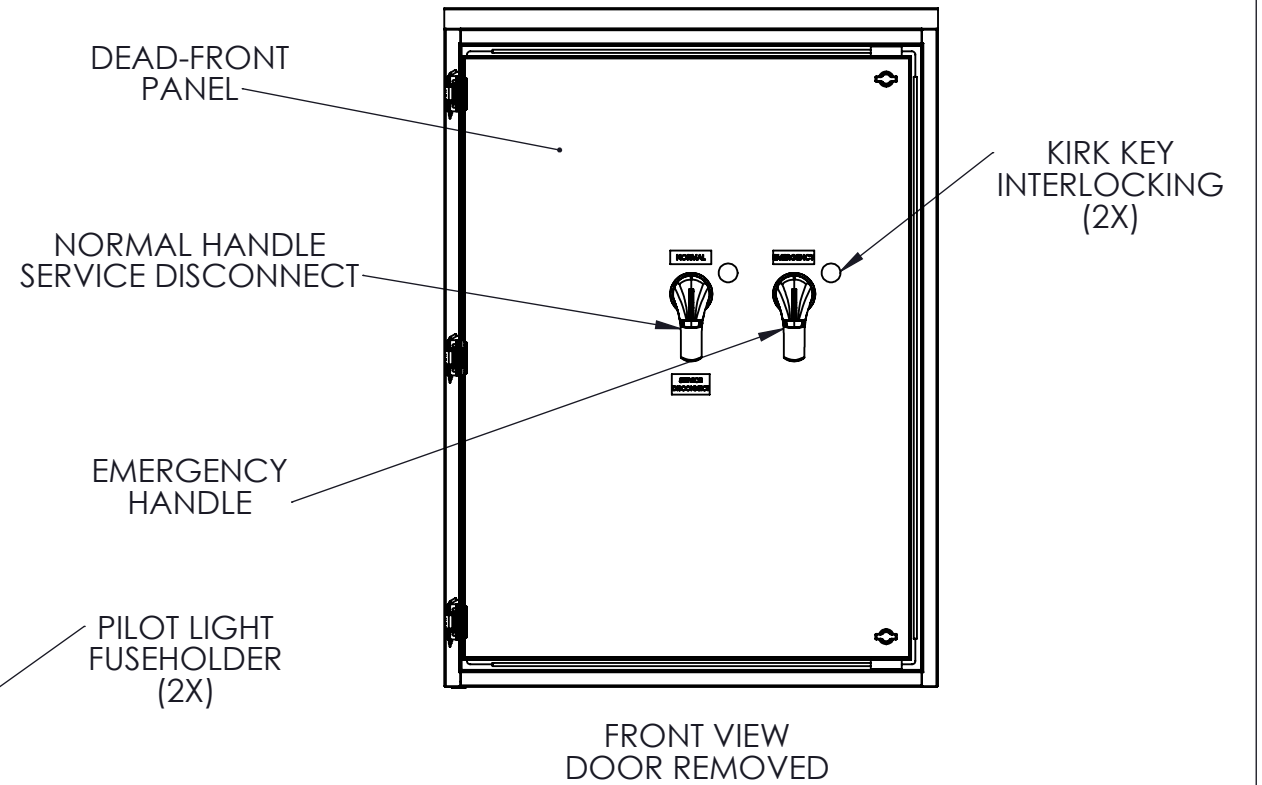
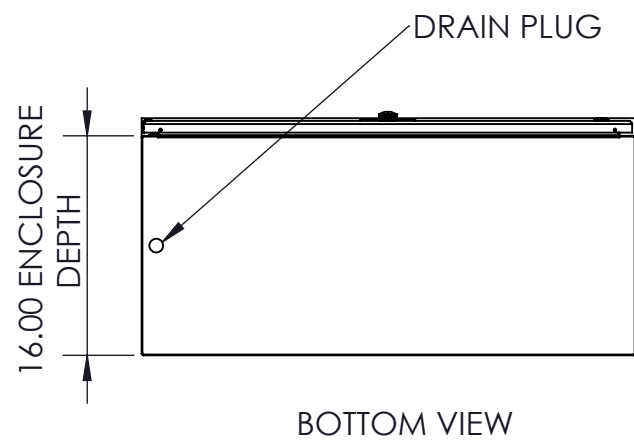
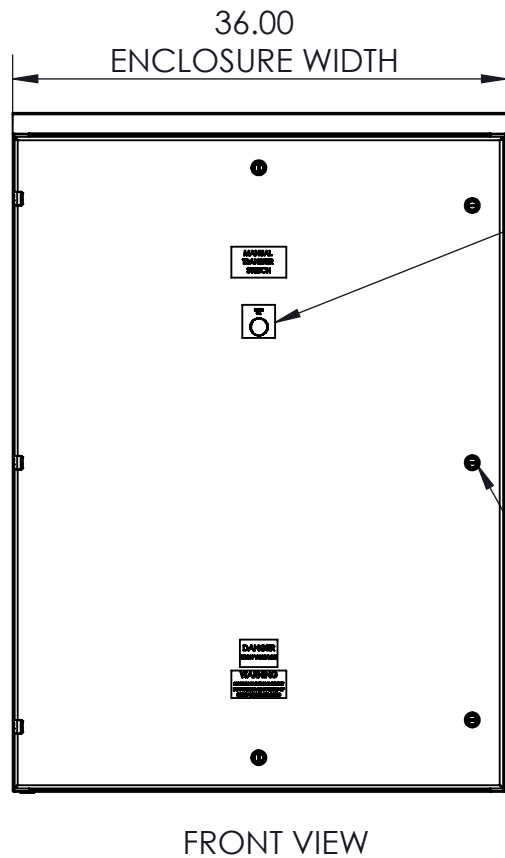
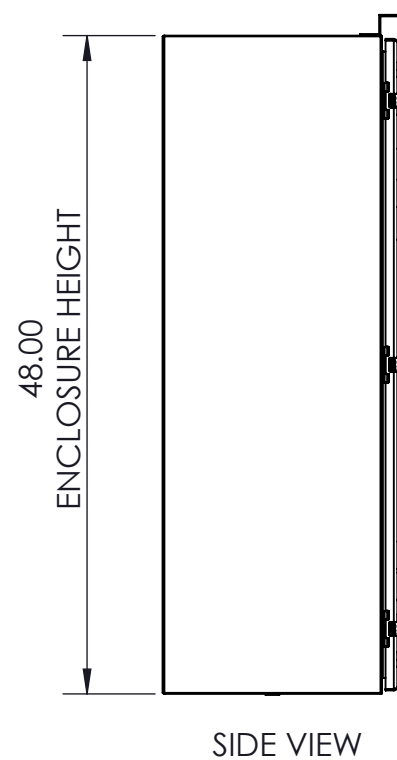
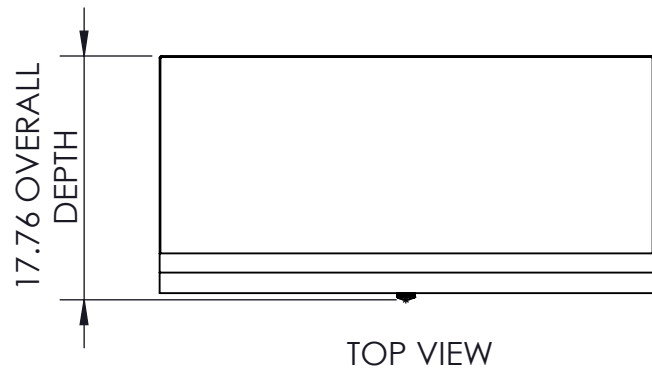


**SPECIFICATIONS**

MAX VOLTAGE - 600VAC 3Φ  
 CURRENT RANGE - 100A-225A  
 STANDARDS - UL1008  
 SUITABLE FOR USE AS  
 SERVICE EQUIPMENT  
 ENCLOSURE RATING - NEMA 3R  
 REF ES11BTS3A  
 EST SHIPPING WEIGHT - 150 LBS



NOTE:  
 BREAKERS ARE KIRK KEY INTERLOCKED.  
 ONLY ONE CAN BE ENERGIZED AT A TIME

**100A-225A NEMA 3R BREAKER-BREAKER TRANSFER SWITCH**

REV	DESCRIPTION	DATE	DRAWN	C. JUNG
0	ORIGINAL RELEASE	2/8/17	CHECKED	
1	ENCLOSURE CHANGED	1/27/22	SUP. NO	

SUP. BY NO	DRAWING TYPE
PANEL NO	DIMENSIONAL
BUIL. NO	DRAWING NUMBER
GROUP NO	<b>BTS225N3RSE3A</b>
ORDER NO	SHEET 1 OF 1

**PSI** Power & Controls  
 9900 TWIN LAKES PARKWAY  
 CHARLOTTE, NC 28269  
 704-596-5617  
 PSICONTROLSOLUTIONS.COM